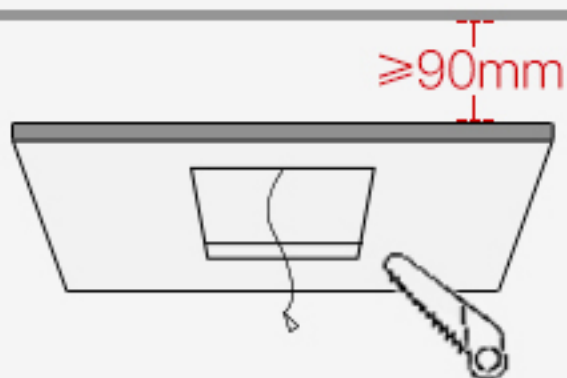
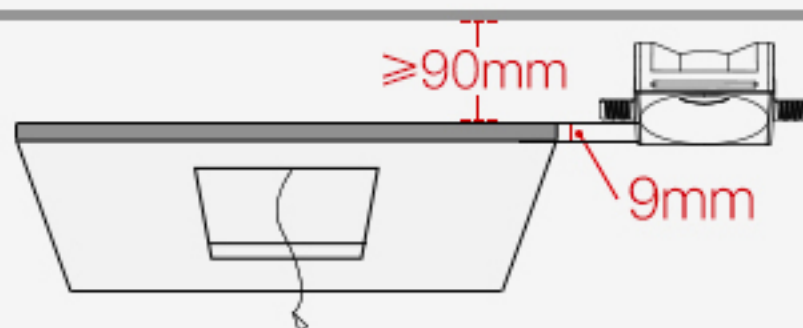


Installation Manual

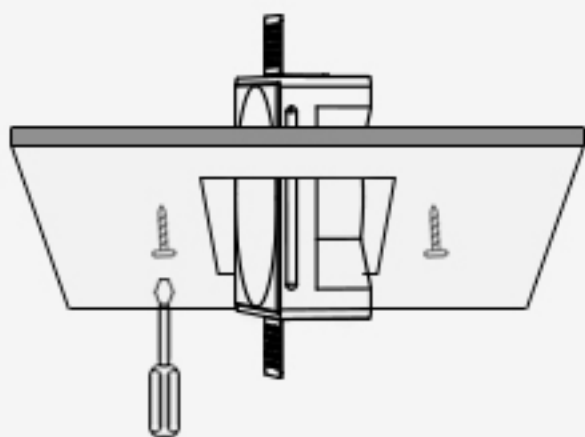
- 1 cutout on the ceiling
cutout size: L123*W123mm



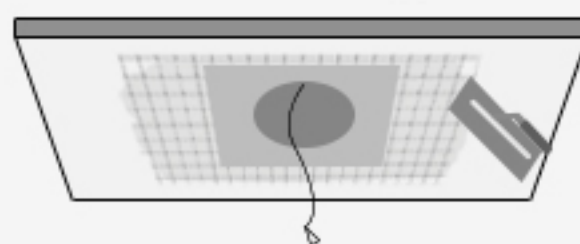
- 2 adjust the embedded part height,
flush with the gypsum board



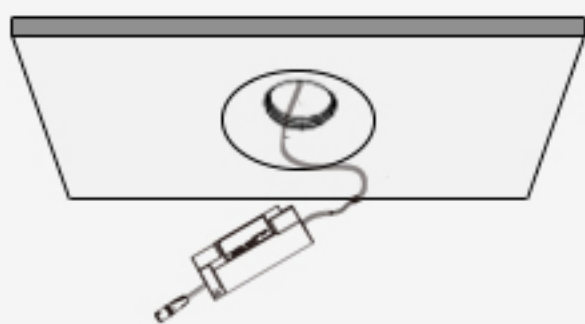
- 3 install the embedded part,
and use screws fixed



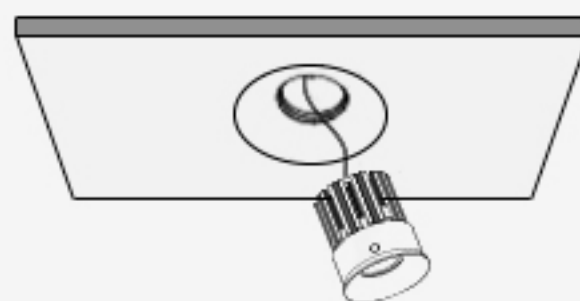
- 4 mesh-putty-paint



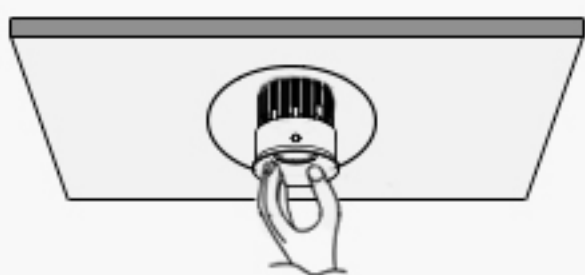
- 5 connect the wire with driver



- 6 connect the lamp with driver



- 7 install the lamp



- 8 Finish

