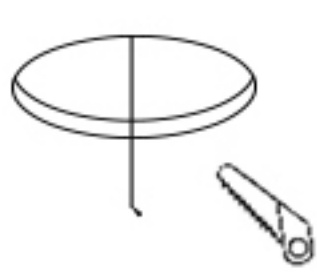
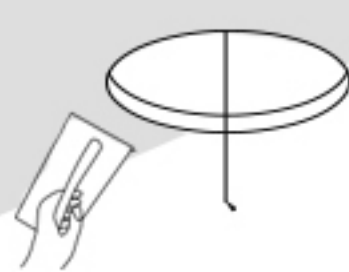


## Type 1: Protruded from the ceiling



1. Cutout on the ceiling  
cutout size: **75mm (2.95")**



2. Plaste-mesh-putty-paint,  
finish the ceiling



3. After the paint dry enough,  
install the frame



4. Wire the driver



5. Plug in the light, and buckle  
the safety rope

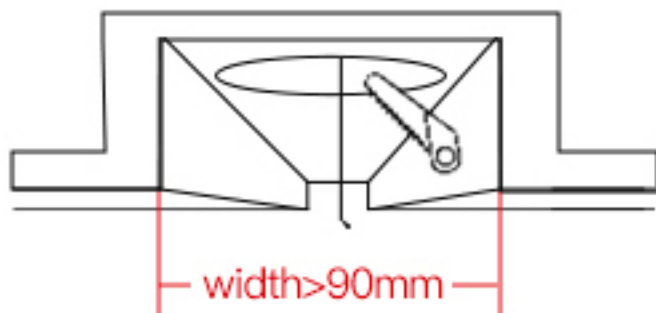
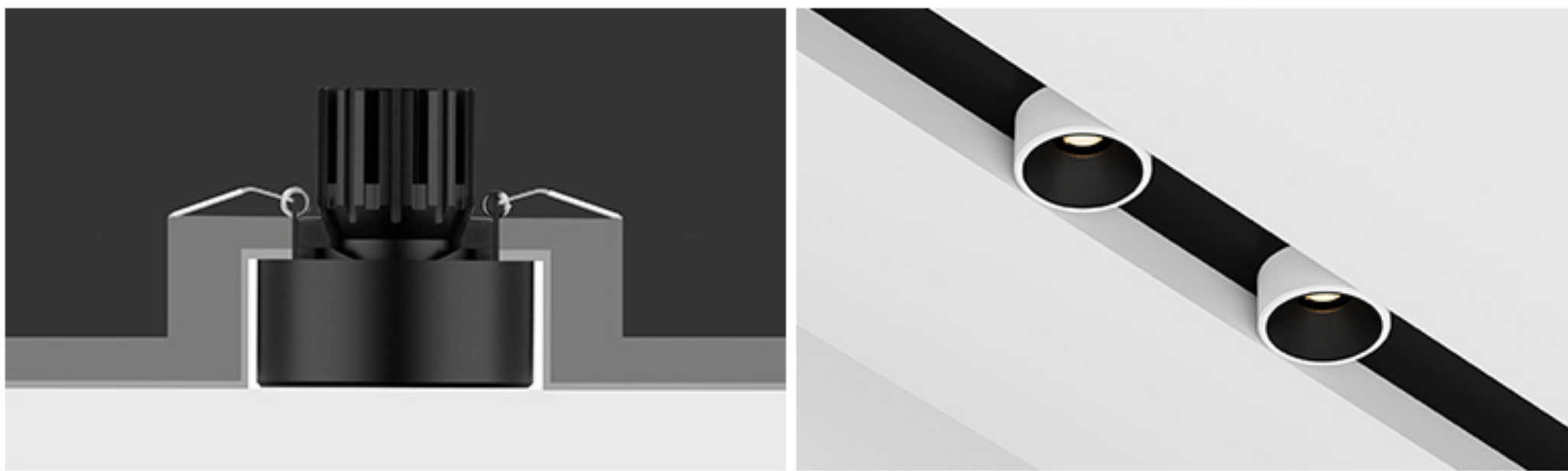


6. Fix the light on by magnet

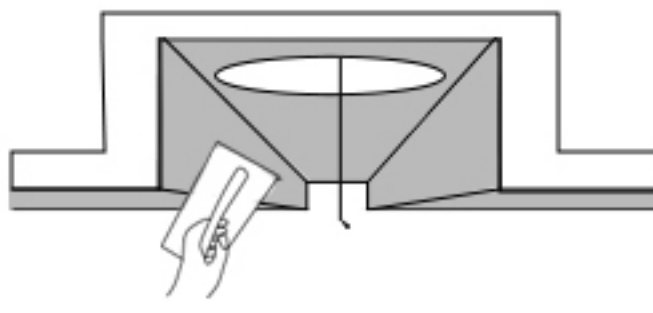


7. Done

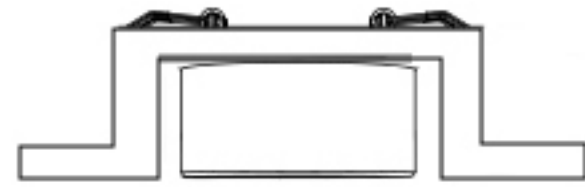
## Type 2: Flushed with ceiling



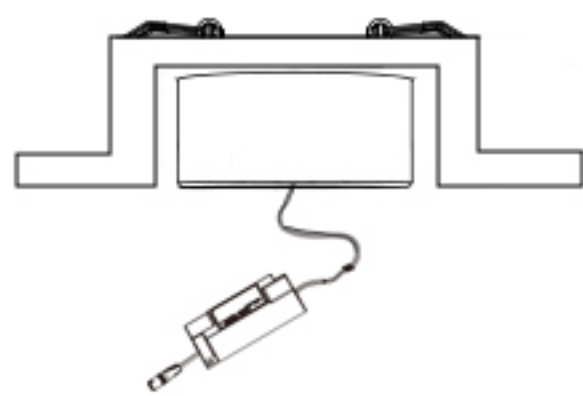
1. Build a channel  
(width>90mm) on the ceiling,  
cutout on the ceiling  
cutout size: **75mm (2.95")**



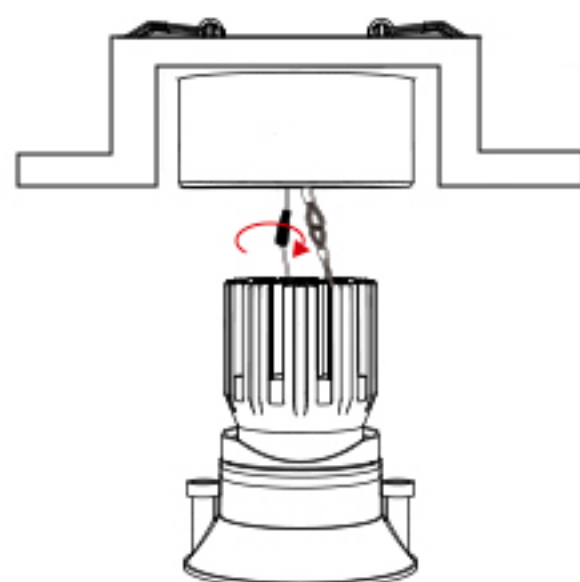
2. Plaste-mesh-putty-paint,  
finish the ceiling



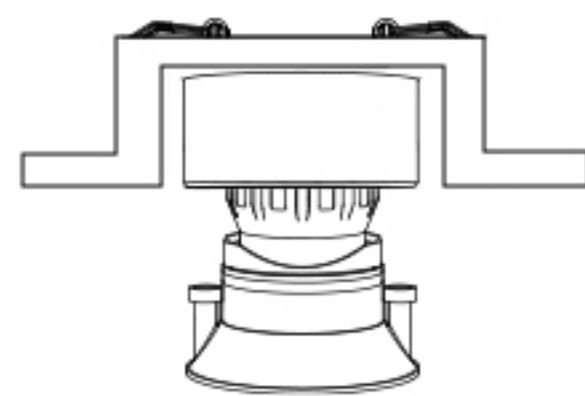
3. After the paint dry  
enough, install the frame



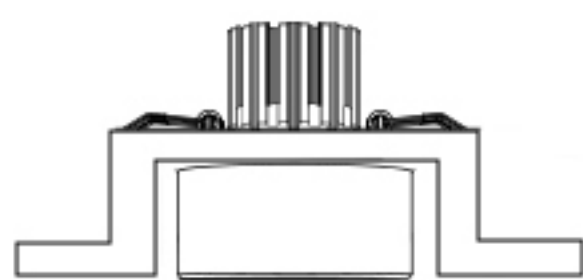
4. Wire the driver



5. Plug in the light,  
and buckle the safety rope



6. Fix the light on by magnet



7. Done

### Note:

1. The embedded part should be placed 1-3mm lower than the gypsum ceiling/drywall.
2. Clean the hole edges while the paint is still wet, for better fitting of the light module.



- To secure safety, a qualified electrician is required to install/remove the luminaire.
- **POWER OFF!!! NOT HOT PLUGGING!!!**