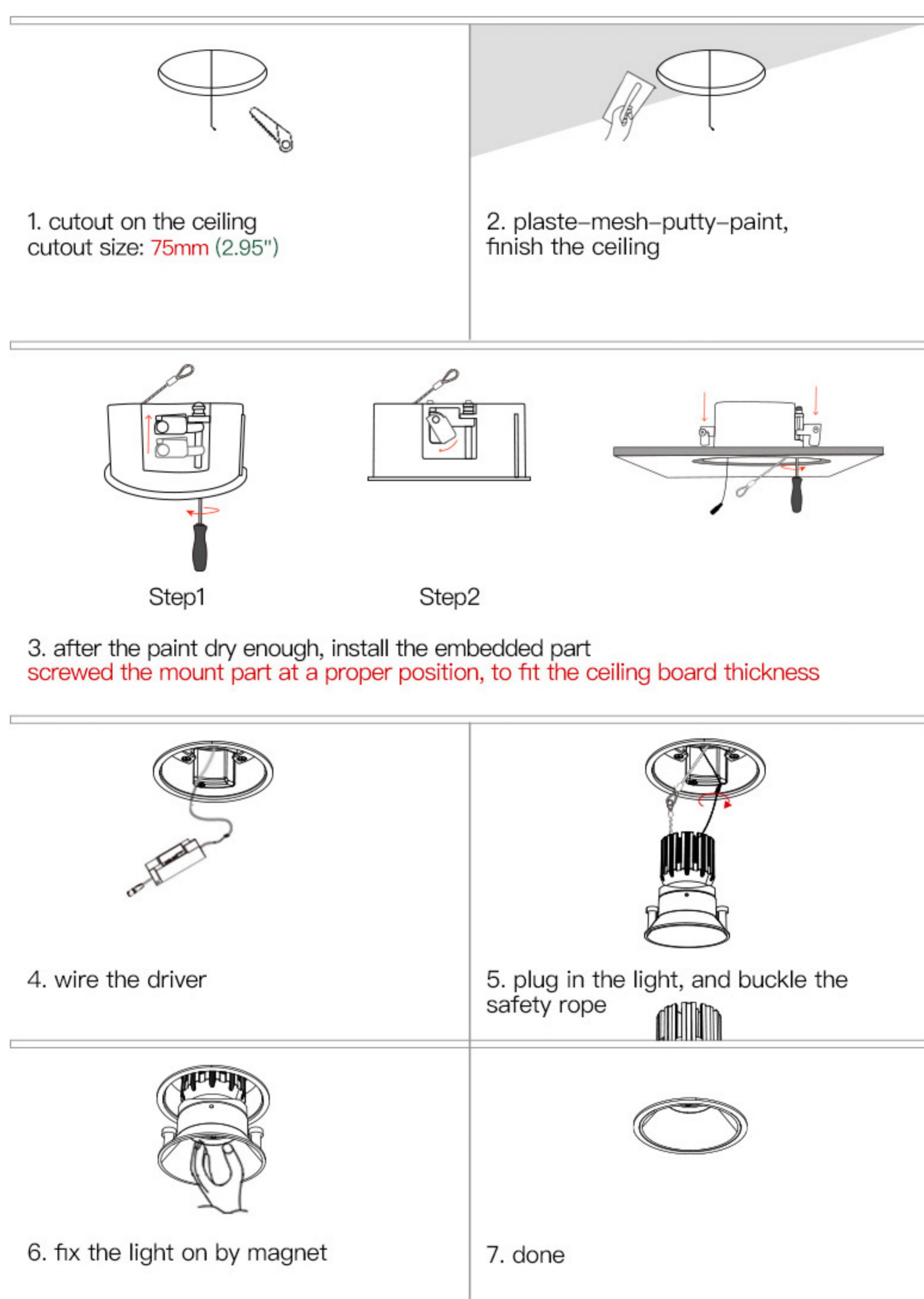


NUORDIC

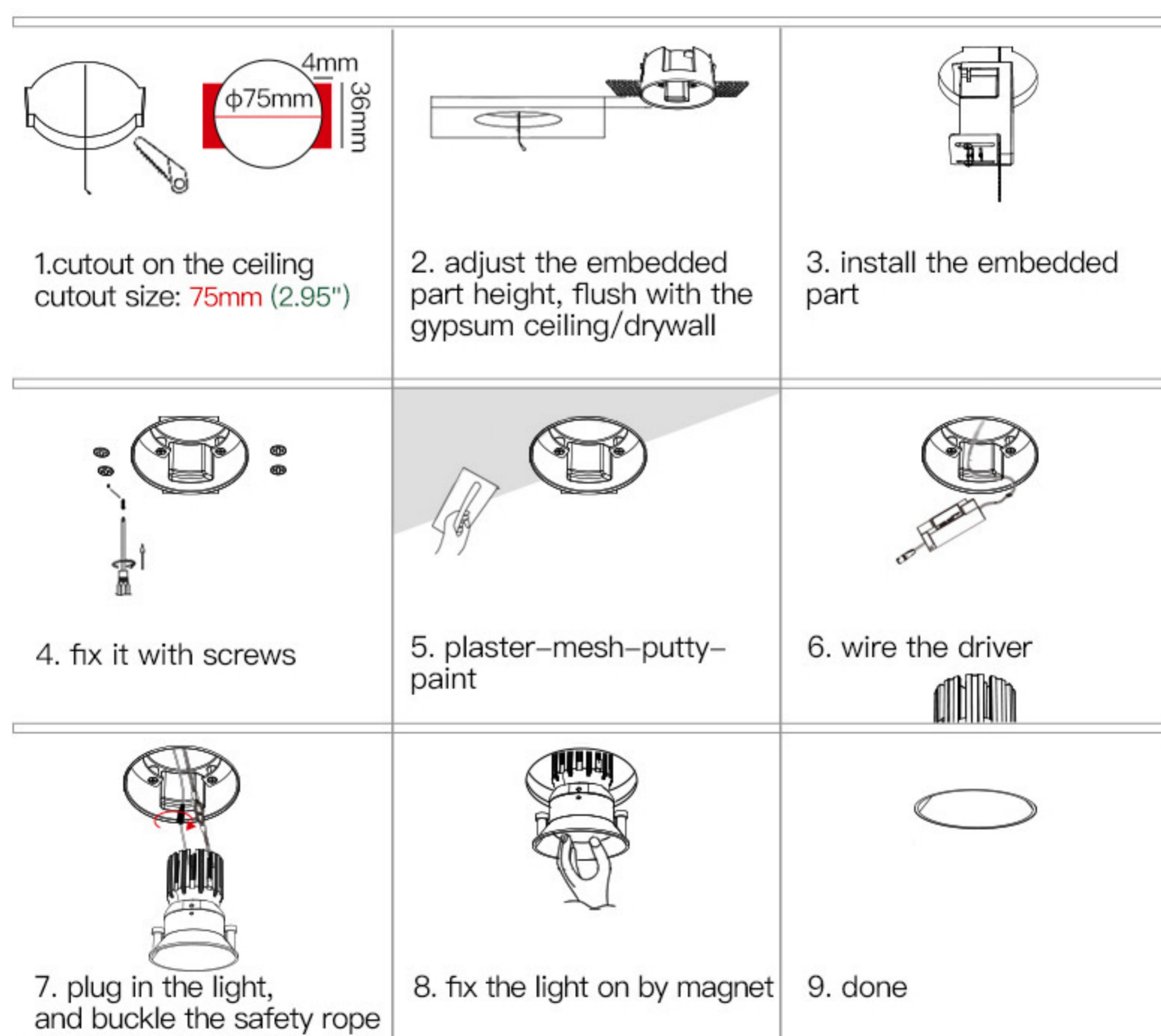
INTERIOR COMPANY

Installation Instructions

With Trim



Trimless



Note:

1. The embedded part should be placed 1-3mm lower than the gypsum ceiling/drywall.
2. Clean the hole edges while the paint is still wet, for better fitting of the light module.



- To secure safety, a qualified electrician is required to install/remove the luminaire.
- POWER OFF!!! NOT HOT PLUGGING!!!