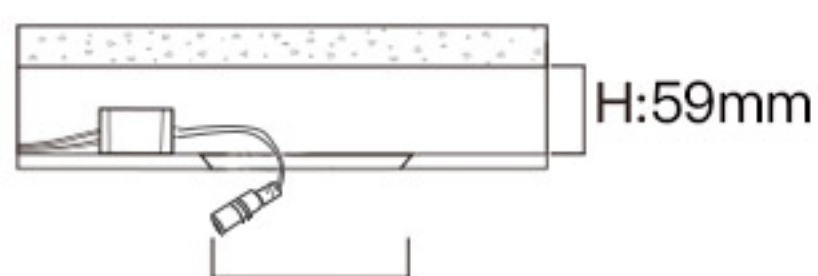


Installation Manual

With Frame

1. Open hole on ceiling, and reserve the wire



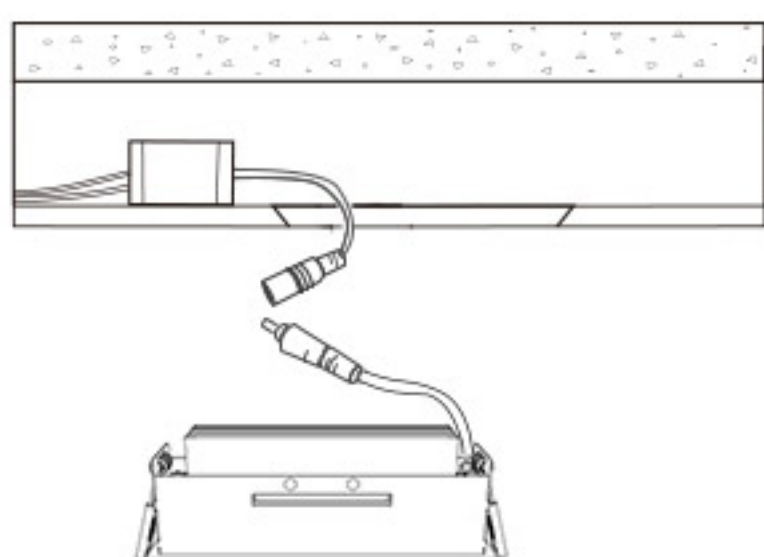
▲ Five-heads cutout size:

L163*W44mm

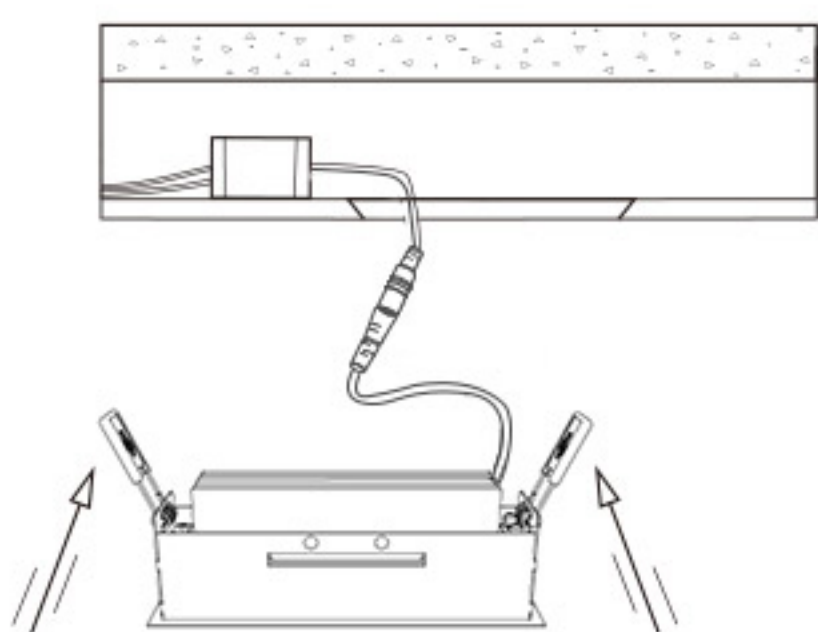
▲ Ten-heads cutout size:

L319*W44mm

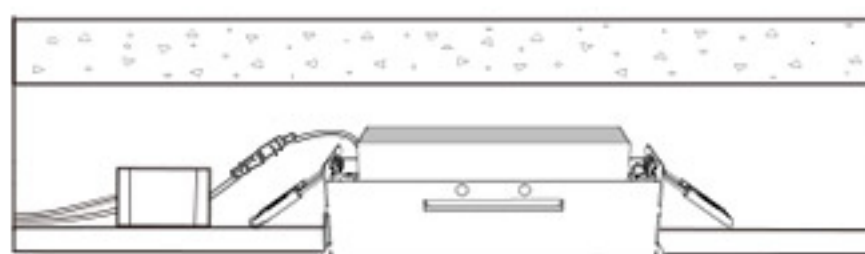
2. Connect the wire with driver



3. Adjust the spring clips



4. Embed and fixed it, finished



Frameless

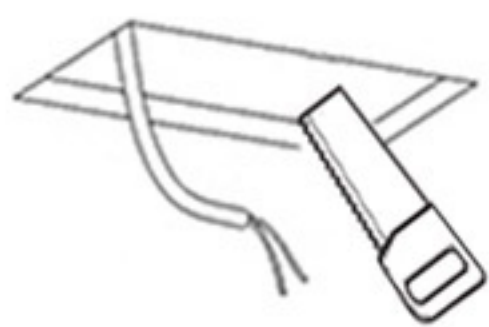
1. Open hole on ceiling, and reserve the wire

▲ Five-heads cutout size:

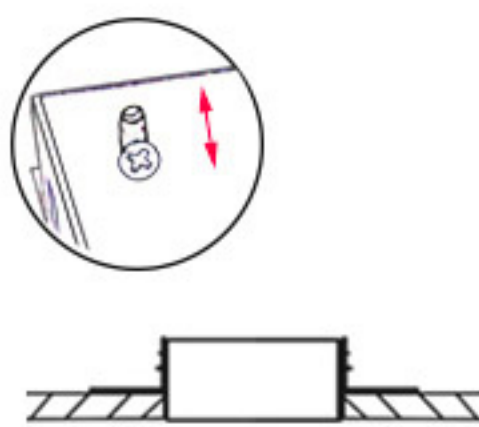
L163*W44mm

▲ Ten-heads cutout size:

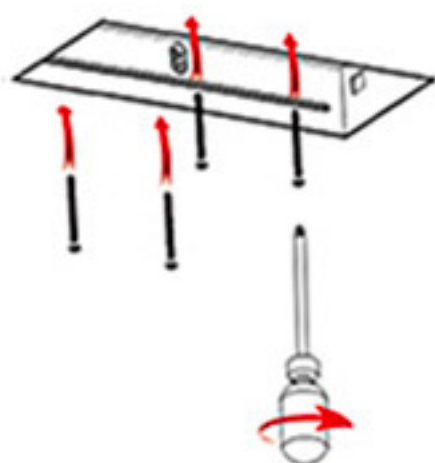
L319*W44mm



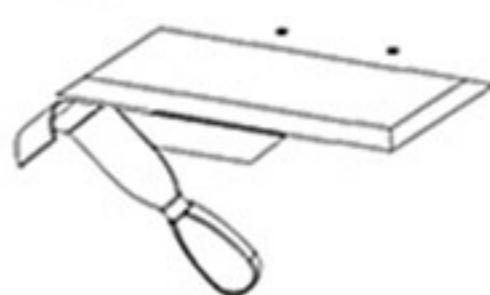
2. Adjust the height of the embedded parts to be flush with the gypsum board. place the embedded parts



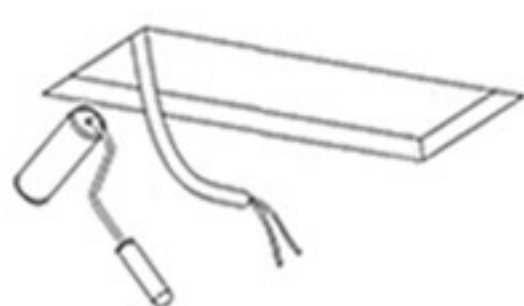
3. Fixed embedded parts



4. Putty-Mesh



5. Paint



6. Embedded lamp body, finished

