



Global



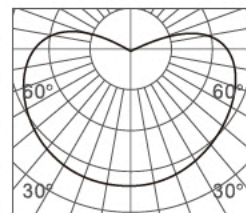
POWER	CRI	SDCM	CCT	BEAM	LUMINOUS FLUX
5W	> 90 > 80	< 3	3000K 2700K 4000K	Diffuse	346Lm

Sandy Black
 Sandy White

LIGHT DISTRIBUTION

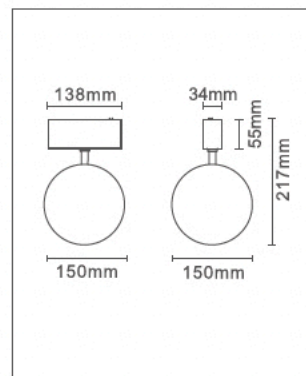
2700K 90Ra

Diffuse

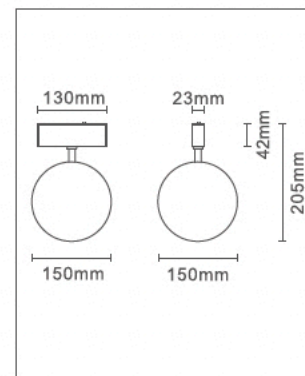


h(m)	E(lx)	Φ(m)
1	30	Φ2.00
2	7	Φ4.00
3	3	Φ6.00
4	1.9	Φ8.00
5	1.2	Φ10.00

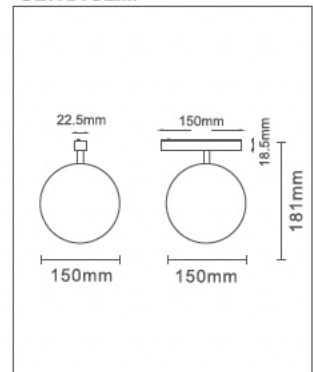
STANDARD



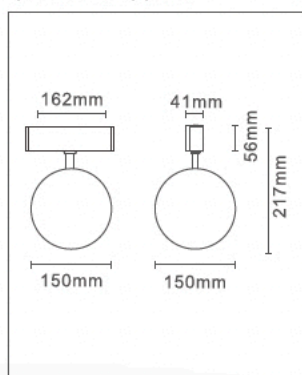
MINI



ULTRA SLIM



STANDARD CURVY



MINI CURVY

