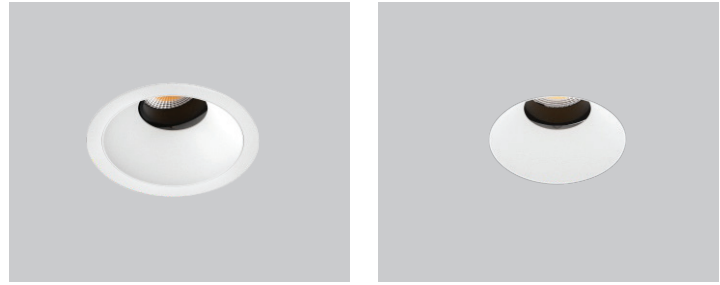


|               |       |
|---------------|-------|
| PROJECT NAME: | TYPE: |
|---------------|-------|

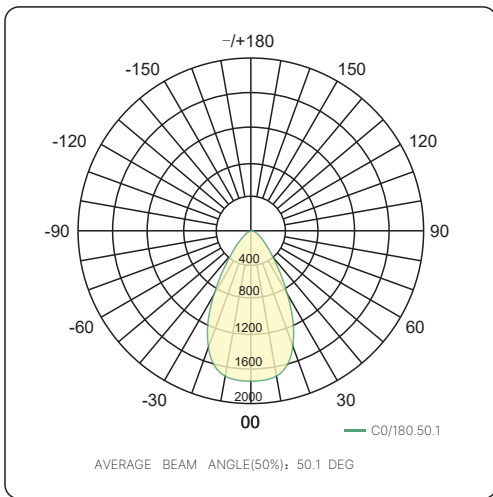


| MODEL | SHAPE | VERSION | TRIM   | FRAME FINISH  | REFLECTOR FINISH                           | LED CHIP              | CRI/LUMENS   | CCT  | BEAM ANGLE                               | DIMMING   | ACCESSORIES  |
|-------|-------|---------|--|---|--|-----------------------|--|--|--|---|--|
| N55   | R     | 21      | <b>QS</b><br>Microflange<br><br><b>QT</b><br>Trimless Drywall                            | <b>B</b><br>Black<br><br><b>W</b><br>White                | <b>B</b><br>Black<br><br><b>W</b><br>White | <b>B</b><br>Bridgelux | <b>90</b><br>90+ CRI 15 Watts<br>Lumens Divd.-1485 | <b>27</b><br>2700K<br><b>30</b><br>3000K<br><b>35</b><br>3500K<br><b>40</b><br>4000K | <b>50</b><br>50°<br><br><b>35</b><br>35° | <b>CMEM55</b><br>On/Off;<br>Triac PhaseDim;<br>120VAC<br><br><b>KIG</b><br>On/Off;<br>Triac Phase Dim;<br>120/277VAC<br><br><i>*Remote Placed</i> | <b>NCP-SR3-R21</b><br>Non-IC Bracket<br><br><b>NCBX-SR3-R21</b><br>IC Box<br><br><b>BRKT-2SR75A</b><br>Non-IC Bracket<br>for Dual Lights<br><br><i>*For more details,pls refer to page 3</i> |
|       |       |         |  |   |  |                       | <b>97</b><br>97+ CRI 15 Watts<br>Lumens Divd.-1050 | <b>1830</b><br>1800-3000K  | <b>50</b><br>50°<br><br><b>35</b><br>35° |   |  |
|       |       |         | <b>90</b><br>90+ CRI 15 Watts<br>Lumens Divd.-1150<br><br><i>*External 5CCT Selector</i> | <b>2765A</b><br>2700K<br>3000K<br>4000K<br>5000K<br>6500K | <b>50</b><br>50°<br><br><b>35</b><br>35°   |                       |  |  |  |   |  |
|       |       |         | <b>TUNABLE WHITE</b><br><br><b>90</b><br>90+ CRI 15 Watts<br>Lumens Divd.-1150           | <b>2765</b><br>2700-6500K                                 | <b>25</b><br>25°                           |                       | <i>*Dali 2ch Driver Remote Placed</i>              |  |  |   |  |

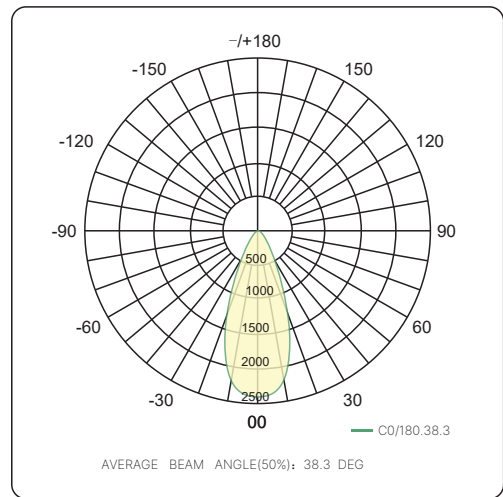
**2 Inch Recessed Round Adjustable Downlight**

## Photometry

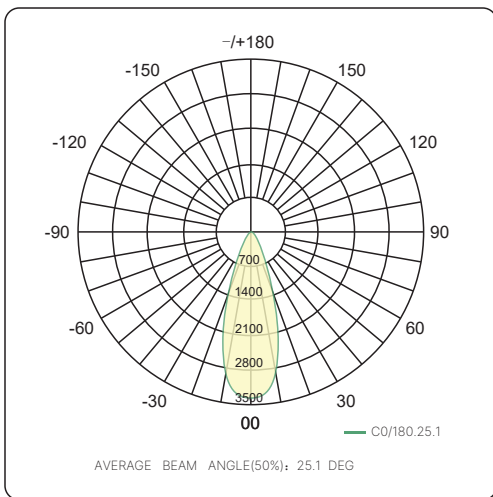
**Beam angle:** 50°  
**Delivered Lumens:** 1485 lumens  
**CCT:** 4000K  
**CRI:** 90  
**Power:** 15W  
**Efficacy:** 99lm/W



**Beam angle:** 35°  
**Delivered Lumens:** 1380 lumens  
**CCT:** 4000K  
**CRI:** 90  
**Power:** 15W  
**Efficacy:** 92lm/W

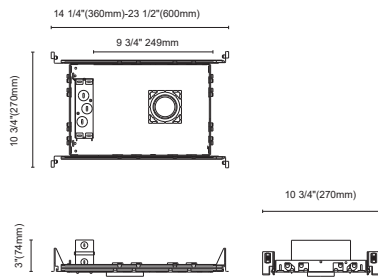
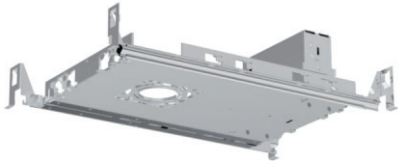


**Beam angle:** 25°  
**Delivered Lumens:** 945 lumens  
**CCT:** 4000K  
**CRI:** 97  
**Power:** 15W  
**Efficacy:** 63lm/W



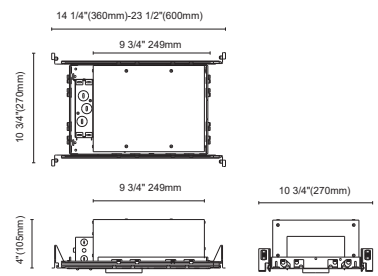
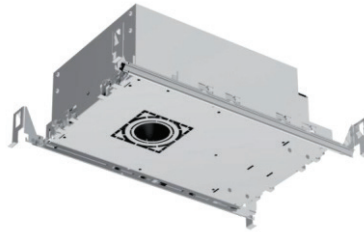
# ACCESSORIES

## Brackets for New-Construction (4-legs)



Cut out:  
 Round: Ø 3" (Ø 77mm)  
 Ø 2" (Ø 62mm)  
 Ø 1" (Ø 50mm)  
 Square: □ 3" (□ 77mm)

## IC-BOX for New-Construction (4-legs)



Cut out:  
 Round: Ø 3" (Ø 77mm)  
 Ø 2" (Ø 62mm)  
 Ø 1" (Ø 50mm)  
 Square: □ 3" (□ 77mm)

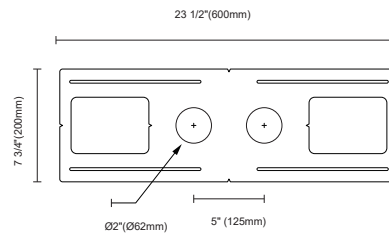
### Cut out



## Brackets for New-Construction

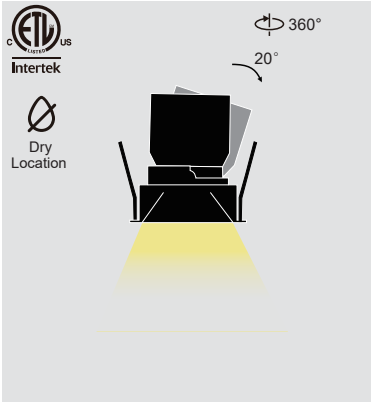


Cut out:  
 Round: Ø 2\*\*2 (Ø 62mm\*2)

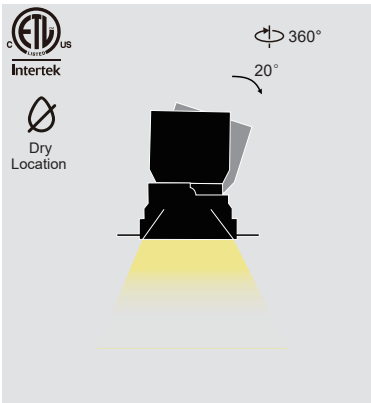
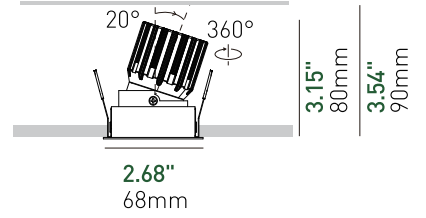
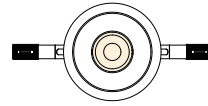


### Remark

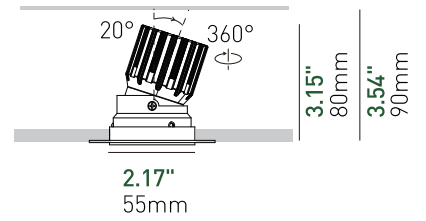
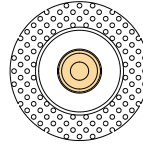
- Tailored brackets are available with a reasonable surcharge, details as below
- The customized bracket's dimensions are still the same as the existing ones, 600\*200mm
  - Hole sizes can be customized within the range of 25-100mm
  - Holes quantity can be indicated, 1-7pcs
  - Holes' positions on the bracket can be done as requests



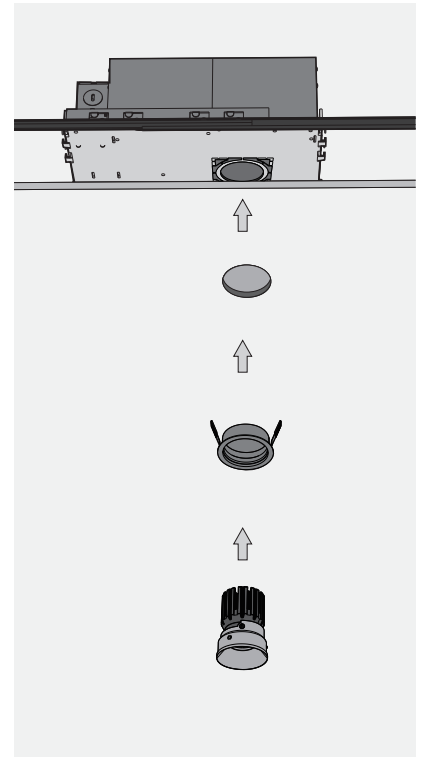
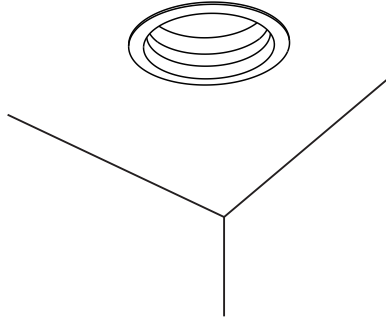
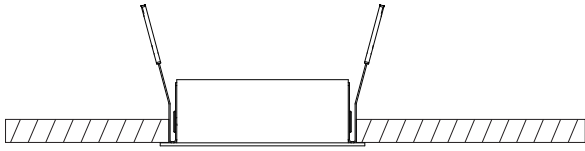
2.68"  
68mm



2.17"  
55mm



## Microflange



---

## Trimless Drywall

