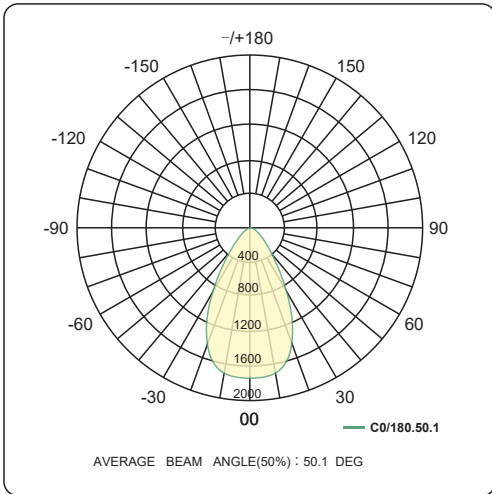
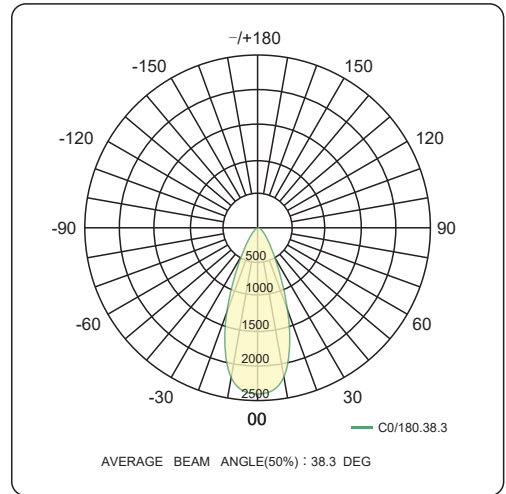


Photometry

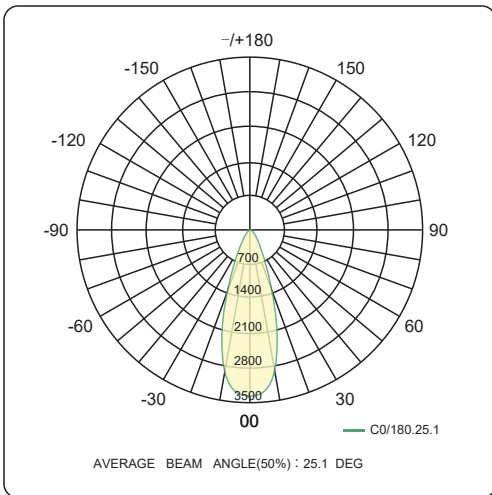
Beam angle: 50°
Delivered Lumens: 1485 lumens
CCT: 4000K
CRI: 90
Power: 15W
Efficacy: 99lm/W



Beam angle: 35°
Delivered Lumens: 1380 lumens
CCT: 4000K
CRI: 90
Power: 15W
Efficacy: 92lm/W

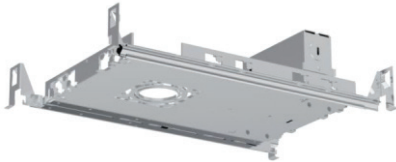


Beam angle: 25°
Delivered Lumens: 945 lumens
CCT: 4000K
CRI: 97
Power: 15W
Efficacy: 63lm/W

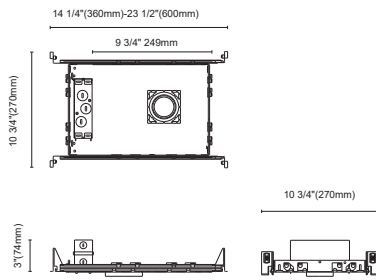


ACCESSORIES

Brackets for New-Construction (4-legs)



NCP-SR3-R21

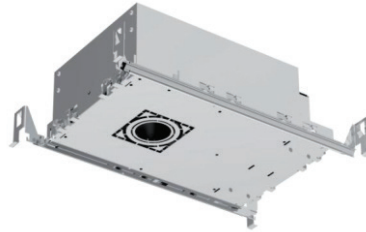


Cut out:

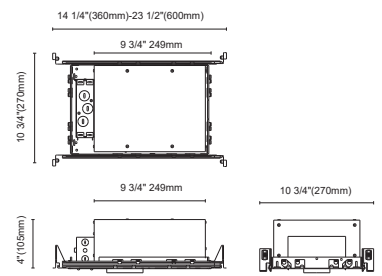
- Round: Ø 3" (Ø 77mm)
- Ø 2" (Ø 62mm)
- Ø 1" (Ø 50mm)

Square: □ 3" (□ 77mm)

IC-BOX for New-Construction (4-legs)



NCBX-SR3-R21

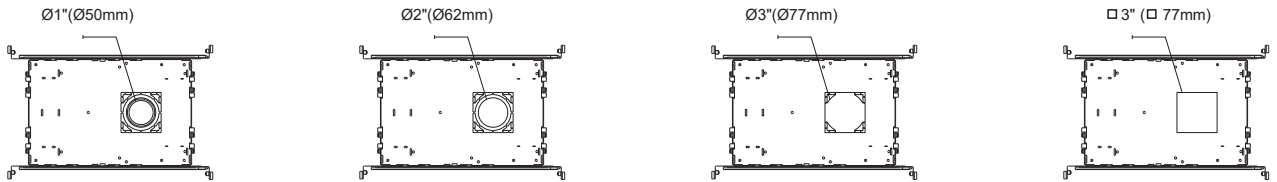


Cut out:

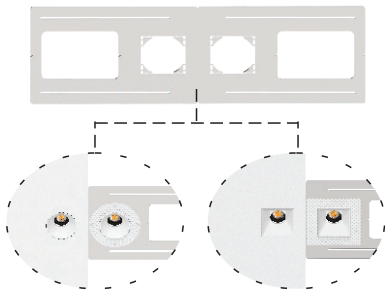
- Round: Ø 3" (Ø 77mm)
- Ø 2" (Ø 62mm)
- Ø 1" (Ø 50mm)

Square: □ 3" (□ 77mm)

Cut out



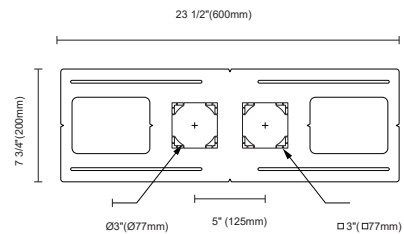
Brackets for New-Construction



BRKT-2SR75A

Cut out:

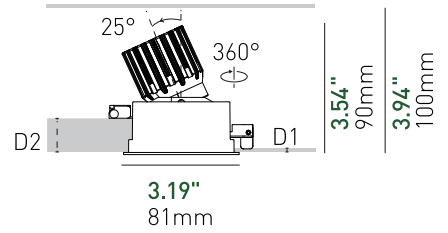
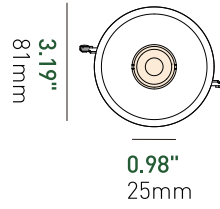
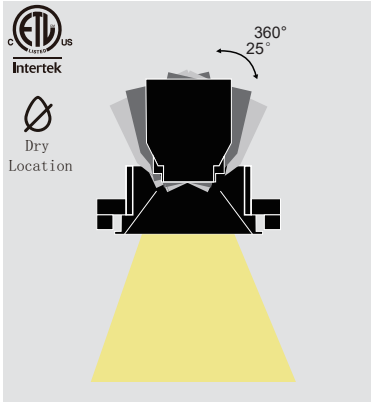
- Round: Ø 77mm*2 (Ø 77mm*2)
- Square: □ 77mm*2 (□ 77mm*2)



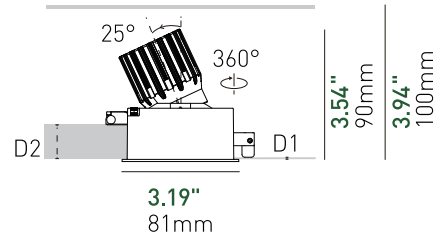
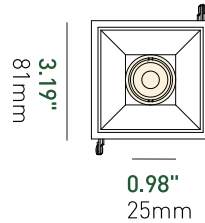
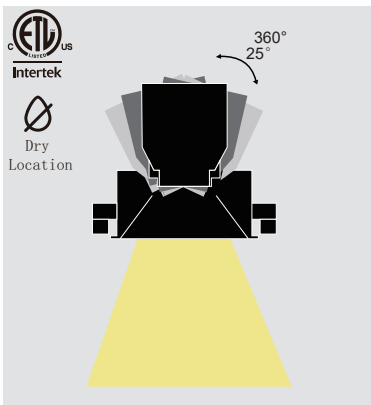
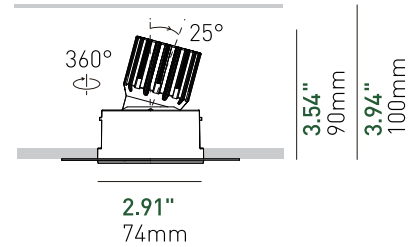
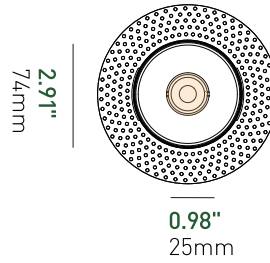
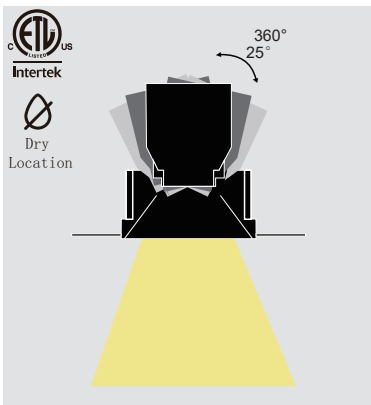
Remark

Tailored brackets are available with a reasonable surcharge, details as below

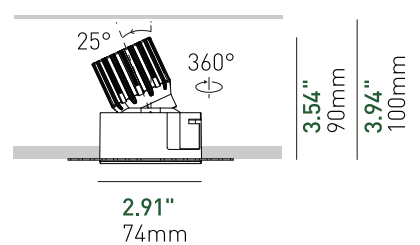
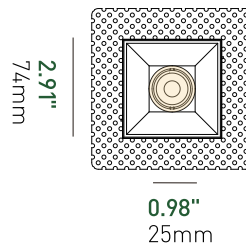
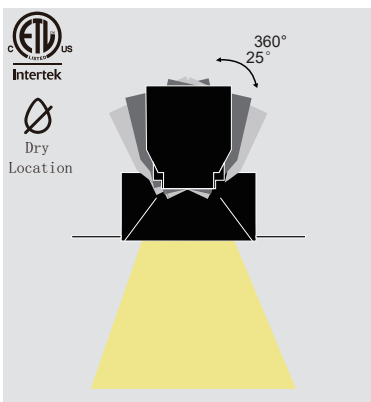
- The customized bracket dimensions are still the same as the existing ones, 600*200mm
- Hole sizes can be customized within the range of 25-100mm
- Holes quantity can be indicated, 1-7pcs
- Holes' positions on the bracket can be done as requests



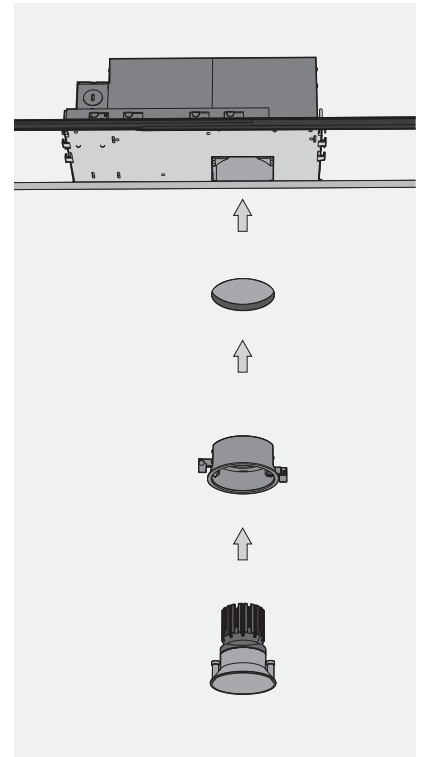
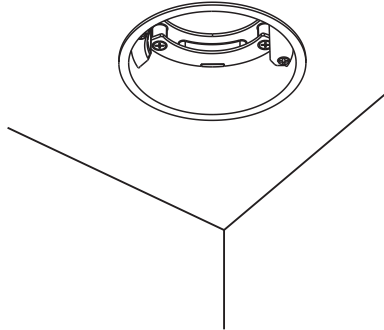
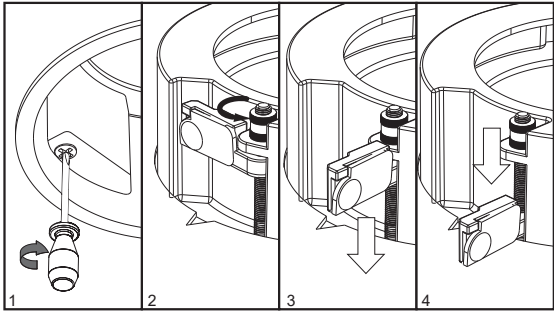
D1: min. 0.06" (1.5mm)
D2: max. 0.94" (24mm)



D1: min. 0.06" (1.5mm)
D2: max. 0.94" (24mm)



Microflange



Trimless Drywall

