

Magnetic track light system

Installation Manual

Standard Version

Menu:

- | | |
|---------------------------------------|--------|
| 1. Surface mounted | P1-2 |
| 2. New surface mounted | P3 |
| 3. Pendant mounted | P4-5 |
| 4. Recessed mounted | P6-8 |
| 5. Surface track connection | P9 |
| 6. Trimless recessed track | P10-11 |
| 7. Trimless recessed track connection | P12 |

MAGNETIC STANDARD TRACK LIGHTING SYSTEM

SURFACE/PENDANT/RECESSED TRACK INSTALLATION INSTRUCTIONS

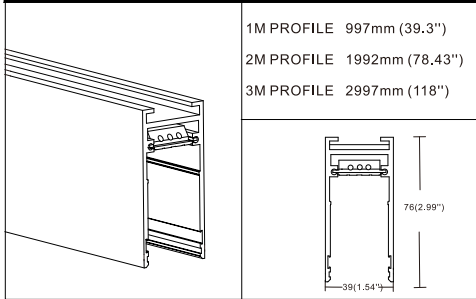
CAUTION:

- BEFORE INSTALLING THE LIGHT FIXTURES, PLEASE READ THE INSTALLATION INSTRUCTIONS CAREFULLY.
- DISCONNECT POWER AT CIRCUIT BREAKER BEFORE INSTALLATION OR SERVICING.
- DO NOT INSTALL THE TRACK IN DAMP OR WET LOCATIONS.
- THIS TRACK IS IP20, INDOOR USE ONLY.
- ALL ELECTRICAL CONNECTIONS SHOULD BE DONE BY A QUALIFIED ELECTRICIAN.

AVERTIR:

- AVANT D'INSTALLER LES LUMINAIRES, VEUILLEZ LIRE ATTENTIVEMENT LES INSTRUCTIONS D'INSTALLATION.
- DÉBRANCHEZ L'ALIMENTATION AU DISJONCTEUR AVANT L'INSTALLATION OU ENTRETIEN.
- NE PAS INSTALLER LA CHENILLE DANS DES ENDROIT HUMIDE OU MOUILLÉ.
- CETTE PISTE EST IP20, UTILISATION EN INTÉRIEUR UNIQUEMENT.
- TOUS LES RACCORDEMENTS ÉLECTRIQUES DOIVENT ÊTRE EFFECTUÉS PAR UN ÉLECTRICIEN QUALIFIÉ.

TRACK PROFILE



INCLUDED HARDWARE

1 METER TRACK INCLUDES:

- 2 × SCREWS
- 2 × WALL PLUGS
- 1 × SCREWS
- 1 × ALLEN WRENCH
- 1 × WIRE CLIP

2 METER TRACK INCLUDES:

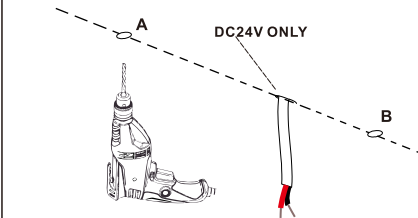
- 4 × SCREWS
- 4 × WALL PLUGS
- 2 × SCREWS
- 1 × ALLEN WRENCH
- 1 × WIRE CLIP

3 METER TRACK INCLUDES:

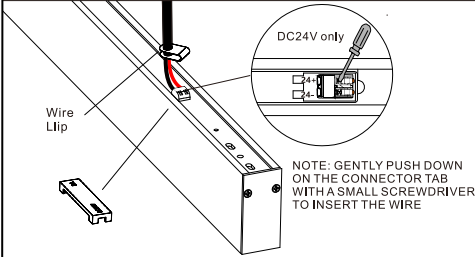
- 6 × SCREWS
- 6 × WALL PLUGS
- 3 × SCREWS
- 1 × ALLEN WRENCH
- 1 × WIRE CLIP

INSTALLATION - SURFACE MOUNTED

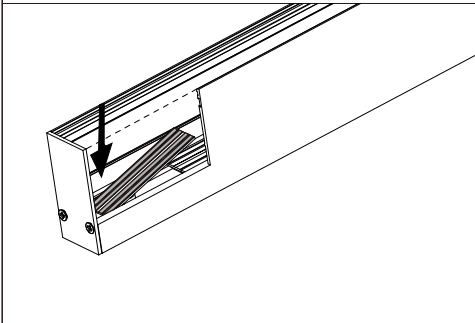
STEP 1 MARK CENTER LINE WHERE TRACK IS TO BE INSTALLED AND MAKE HOLES IN THE CEILING



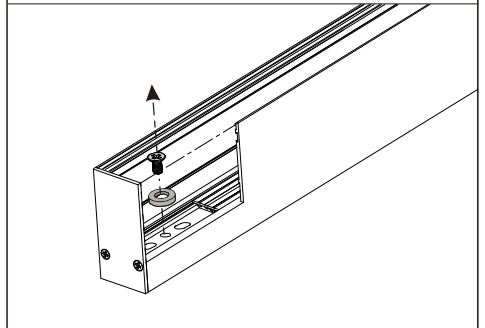
STEP 2 CONNECT 24 VOLT POWER FROM THE DRIVER TO THE TRACK, RED WIRE TO POSITIVE AND BLACK WIRE TO NEGATIVE. ATTACH THE WIRE RESTRAINT TO THE POWER CORD.



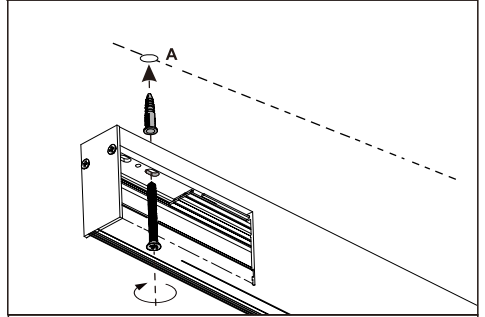
STEP 3 REMOVE DECORATIVE PLATE



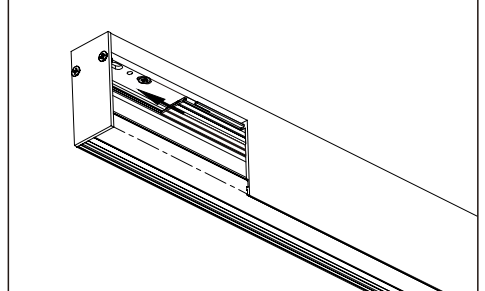
STEP 4 REMOVE MAGNET



STEP 5 ATTACH ONE END OF TRACK TO CEILING

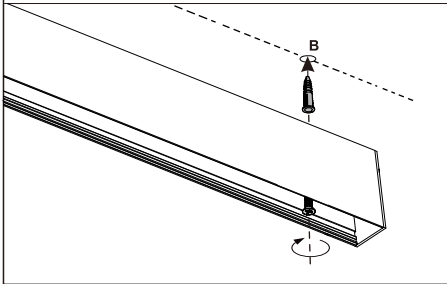


STEP 6 SLIDE PCB BOARDS TO END OF TRACK TO EXPOSE MOUNTING HOLE AT OPPOSITE END OF TRACK

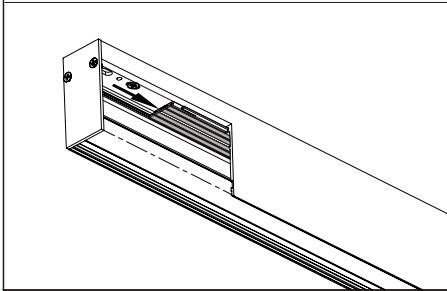


MAGNETIC STANDARD TRACK LIGHTING SYSTEM

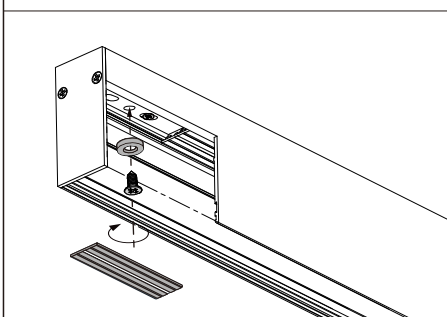
STEP 7 INSTALL DRYWALL ANCHOR AND SET SCREW TO HOLE B



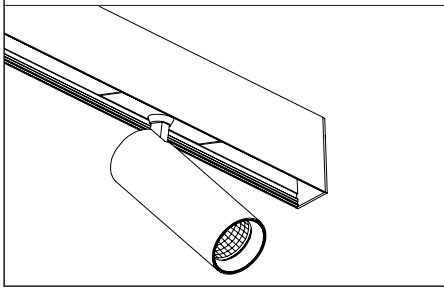
STEP 8 SLIDE PCB BOARDS TO END OF TRACK TO EXPOSE MOUNTING HOLE AT OPPOSITE END OF TRACK



STEP 9 RE-INSTALL THE MAGNET AND DECORATIVE PLATE



STEP 10 INSTALL THE FIXTURE





MAGNETIC STANDARD TRACK LIGHTING SYSTEM

INSTALLATION- NEW SURFACE MOUNTED

ACCESSORIES REQUIRED:

NEW SURFACE MOUNTED KIT

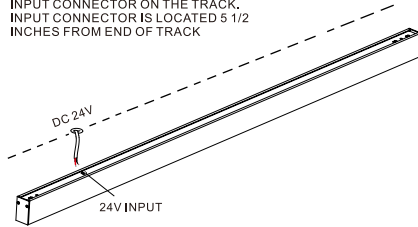
WHICH INCLUDES: 4 × NEW SURFACE KITS 

4 × SCREWS  4 × WALL PLUGS 

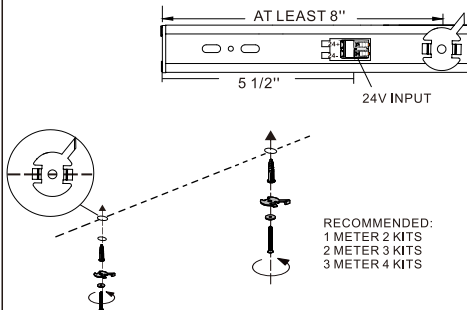
4 × WASHER 

STEP 1 MARK CENTER LINE WHERE TRACK IS TO BE INSTALLED

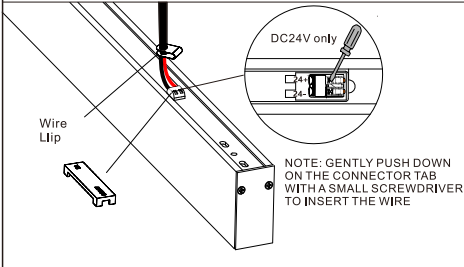
NOTE: 24-VOLT POWER COMING FROM CEILING MUST ALIGN WITH THE 24-VOLT INPUT CONNECTOR ON THE TRACK. INPUT CONNECTOR IS LOCATED 5 1/2 INCHES FROM END OF TRACK



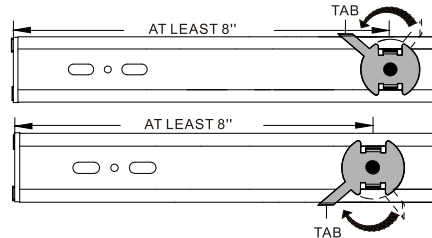
STEP 2 INSTALL SURFACE MOUNT KITS ALONG CENTER LINE BUT DO NOT OVER TIGHTEN. DO NOT INSTALL SURFACE MOUNT KITS WITHIN 8" OF THE ENDS OF THE TRACK AS THIS MAY INTERFERE WITH THE POWER ACCESS AREA AND WHERE TRACK JOINERS MAY BE USED.



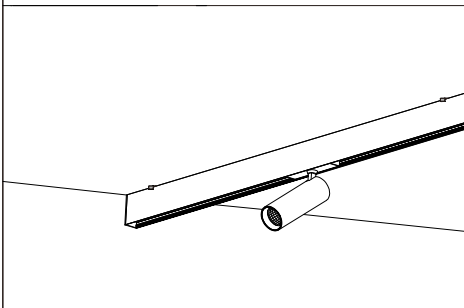
STEP 3 CONNECT 24 VOLT POWER FROM THE DRIVER TO THE 24 VOLT ON THE TRACK. RED WIRE TO POSITIVE AND BLACK WIRE TO NEGATIVE. ATTACH THE WIRE RESTRAINT TO THE POWER CORD.



STEP 4 SECURE TRACK TO CEILING BY TURNING THE SURFACE MOUNT KITS LOCKING TRACK IN PLACE (KITS CAN BE USED SO THE TABS CAN BE ON EITHER SIDE OF THE TRACK. EXAMPLE ALL ONE SIDE OR ALTERNATING FROM ONE SIDE TO THE OTHER)



STEP 5 INSTALL THE ELEMENTS



MAGNETIC STANDARD TRACK LIGHTING SYSTEM

INSTALLATION- PENDANT MOUNTED

ACCESSORIES REQUIRED:

PENDANT KIT-A WHICH INCLUDES:

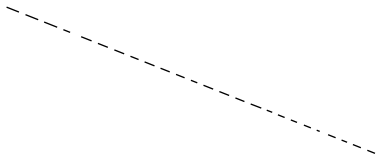
- | | |
|-------------------------|-----------------|
| 1 × PENDANT POWER CABLE | 1 × CROSS BAR |
| 1 × ALLEN WRENCH | 2 × LONG SCREWS |
| 1 × WIRE CLIP | 2 × WALL PLUGS |
| 2 × SMALL SREWS | 2 × M4*8 SCREW |
| 3 × Wire cap | |

PENDANT KIT-B WHICH INCLUDES:

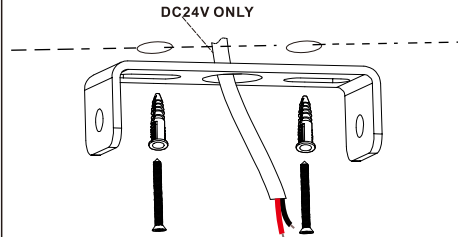
- | | |
|----------------------|-----------------|
| 1 × SUSPENSION CABLE | 1 × CROSS BAR |
| 1 × ALLEN WRENCH | 2 × LONG SCREWS |
| 1 × WIRE CLIP | 2 × WALL PLUGS |
| 2 × SMALL SREWS | 2 × M4*8 SCREW |

RECOMMENDED CABLE SUPPORTS: 1 METER 1 PC
2 METER 1-2 PCS
3 METER 2-3PCS

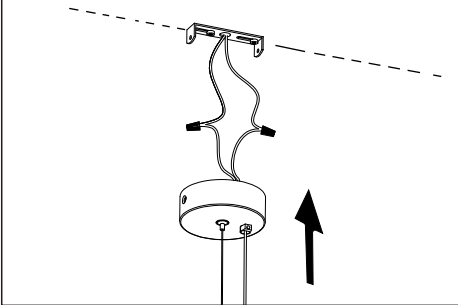
STEP 1 MARK CENTER LINE WHERE TRACK IS TO BE INSTALLED



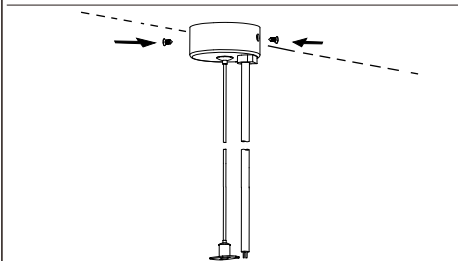
STEP 2 INSTALL CROSS BAR



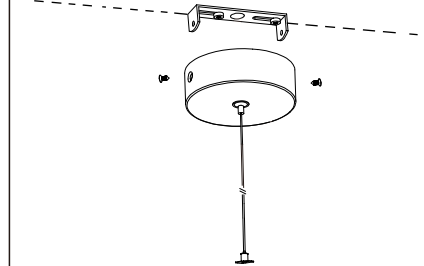
STEP 3 CONNECT THE POWER CABLE



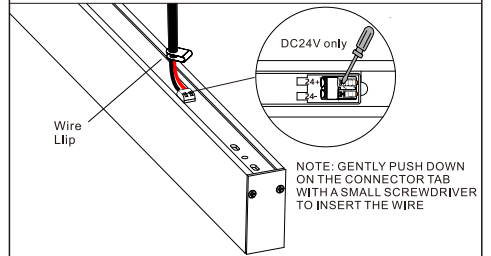
STEP 4 FIX THE CANOPY TO THE CROSS BAR



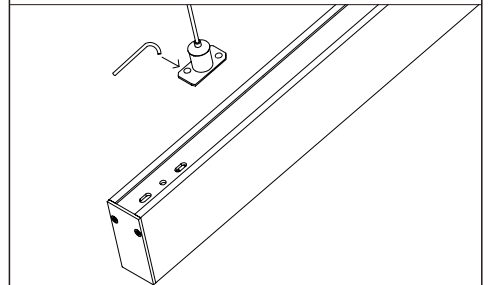
STEP 5 INSTALL THE PENDANT KIT-B-S



STEP 6 CONNECT 24 VOLT POWER FROM THE DRIVER TO THE 24 VOLT INPUT ON THE TRACK, RED WIRE TO POSITIVE AND BLACK WIRE TO NEGATIVE. ATTACH THE WIRE RESTRAINT TO THE POWER CORD. (NOTE—IF USING A LIVE END FEED INPUT CONNECTOR INSTEAD OF POWERING DIRECTLY TO TRACK, SEE LIVE END FEED INSTRUCTIONS FOR POWERING)

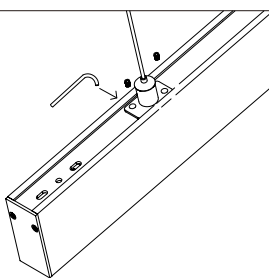


STEP 7 INSTALL SUSPENSION CABLES TO TRACK, SEE STEP 8 AND 9

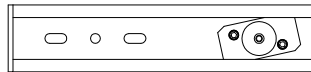
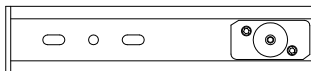


MAGNETIC STANDARD TRACK LIGHTING SYSTEM

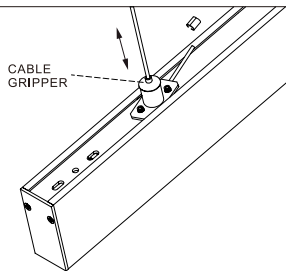
STEP 8 INSERT SET SCREWS BUT DO NOT TIGHTEN



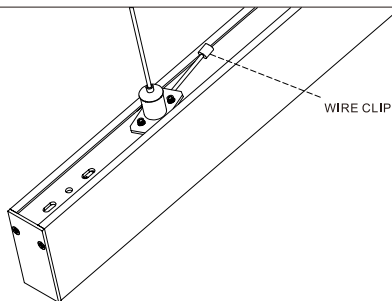
STEP 9 TURN CABLE CONNECTOR COUNTER-CLOCKWISE SO THE CORNERS OF THE CONNECTOR FIT UNDER THE TOP EDGES OF THE TRACK AND TIGHTEN SET SCREWS



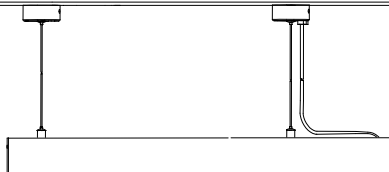
STEP 10 ADJUST SUSPENSION CABLE TO DESIRED HEIGHT BY PUSHING DOWN ON CABLE GRIPPER AND PULLING THE EXCESS CABLE. ONCE HEIGHT IS FINAL, CUT OFF EXCESS CABLE.



STEP 11 INSTALL THE WIRE CLIP



STEP 12 FINISH INSTALLATION OF THE TRACK



MAGNETIC STANDARD TRACK LIGHTING SYSTEM

INSTALLATION- RECESSED MOUNTED

ACCESSORIES REQUIRED:

RECESSED KITS

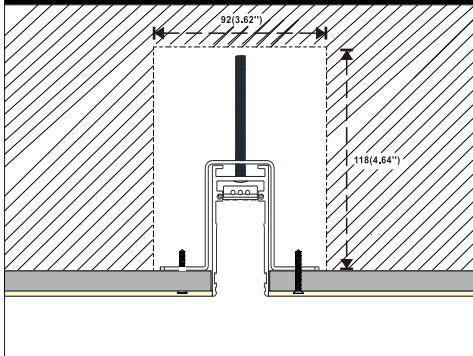
WHICH INCLUDES: 2 × RECESSED KITS



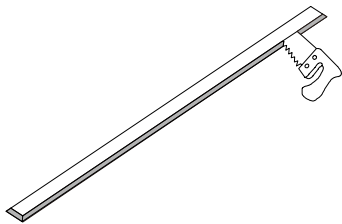
RECOMMENDED RECESSED KITS:

1 METER	2 PCS
2 METER	3 PCS
3 METER	4 PCS

POSITION

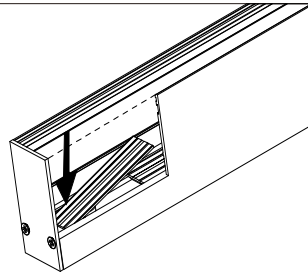


STEP 1 CUT HOLE FOR RECESSED MOUNT THE TRACK

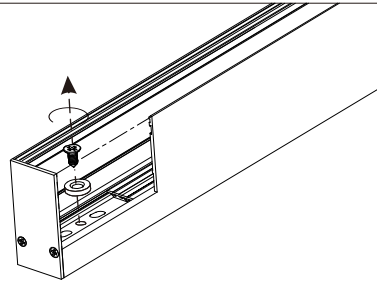


HOLE LENGTH SHOULD BE TOTAL LENGTH OF TRACK PLUS 2MM
HOLE WIDTH SHOULD BE WIDTH OF TRACK PLUS 2MM

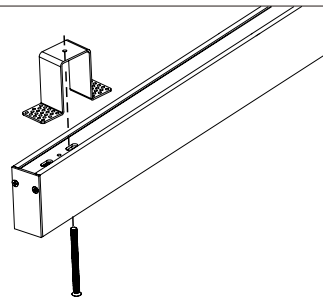
STEP 2 REMOVE DECORATIVE PLATE



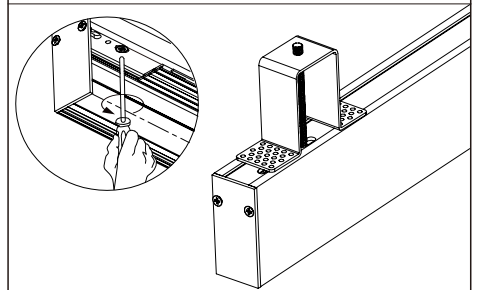
STEP 3 REMOVE MAGNET



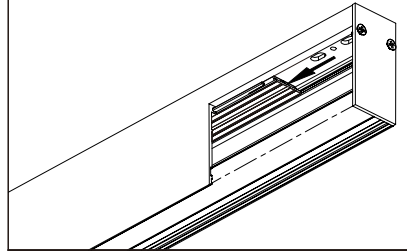
STEP 4 INSTALL RECESSED KIT 1



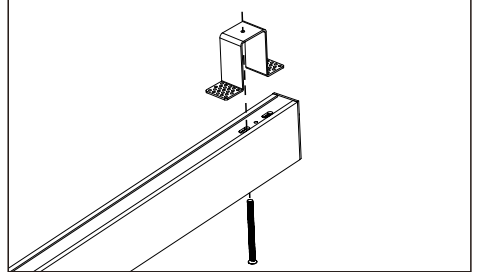
STEP 5 FIX THE RECESSED KIT BUT NOT TIGHT



STEP 6 SLIDE PCB BOARDS TO END OF TRACK TO EXPOSE MOUNTING HOLE AT OPPOSITE END OF TRACK

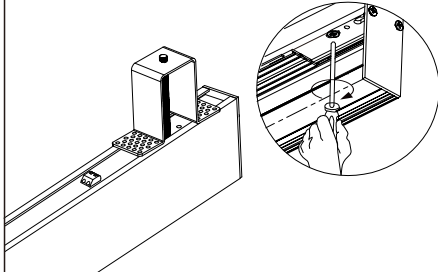


STEP 7 INSTALL RECESSED KIT 2

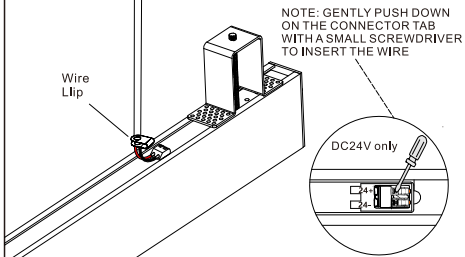


MAGNETIC STANDARD TRACK LIGHTING SYSTEM

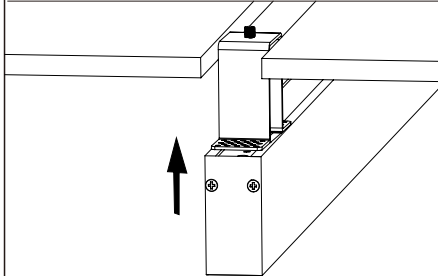
STEP 8 FIX THE RECESSED KIT BUT NOT TIGHT



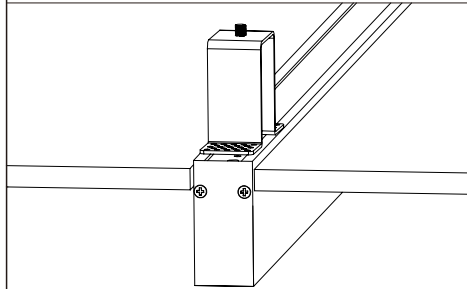
STEP 9 CONNECT 24 VOLT POWER FROM THE DRIVER TO THE 24 VOLT ON THE TRACK, RED WIRE TO POSITIVE AND BLACK WIRE TO NEGATIVE. ATTACH THE WIRE RESTRAINT TO THE POWER CORD.



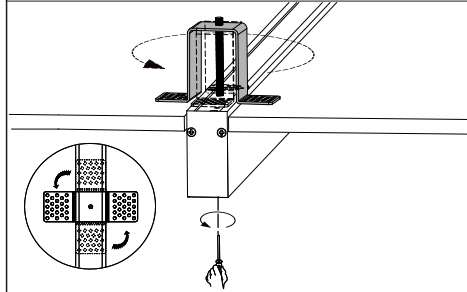
STEP 10 INSET TRACK PROFILE INTO THE HOLE



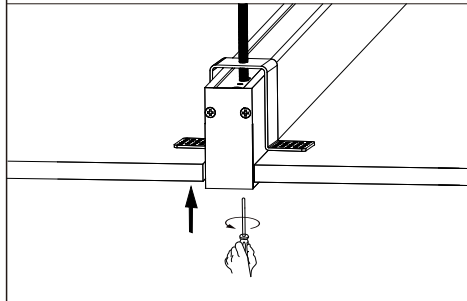
STEP 11



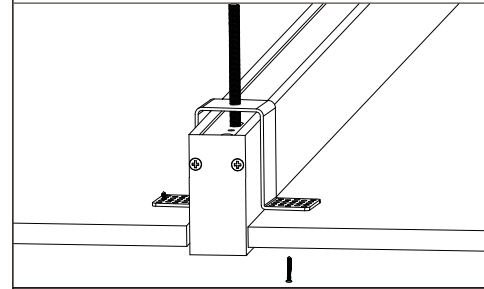
STEP 12 RELEASE THE RECESSED KIT AND TURN IT 90° TO DROP DOWN TO THE CEILING



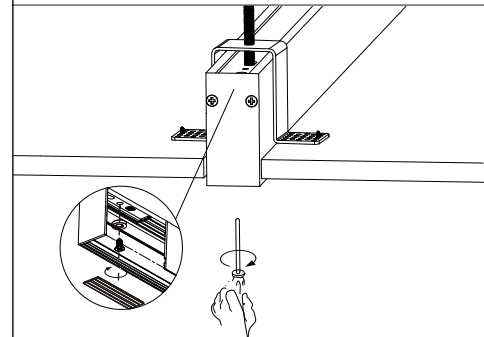
STEP 13 SCREW AND LIFT THE TRACK UP INTO THE CEILING



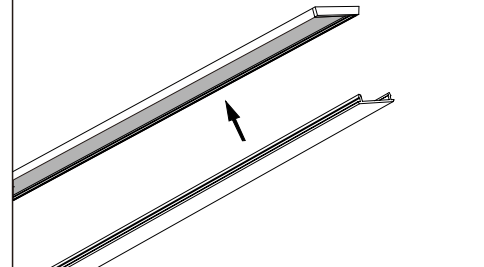
STEP 14 ATTACH TRACK WITH SCREWS



STEP 15 RE-INSTALL THE MAGNET AND DECORATIVE PLATE

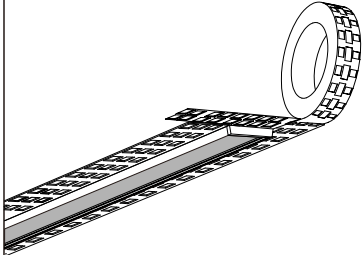


Optional: INSTALL THE MSAR11 RECESSED TRACK COVER ONTO THE TRACK

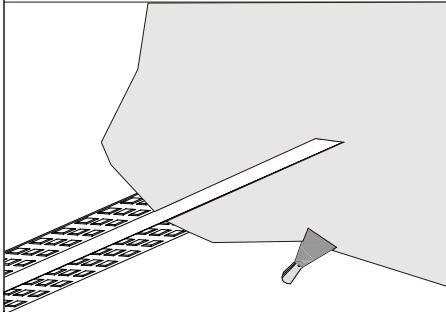


MAGNETIC STANDARD TRACK LIGHTING SYSTEM

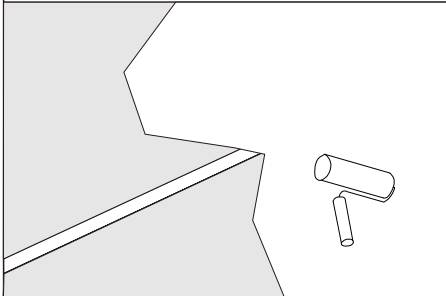
STEP 16 TAPING WITH FIBERGLASS TAPE



STEP 17 PLASTERING

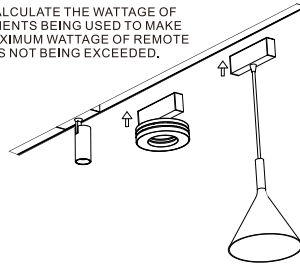


STEP 18 PAINTING



STEP 19 INSTALL ELEMENTS

NOTE: CALCULATE THE WATTAGE OF ALL ELEMENTS BEING USED TO MAKE SURE MAXIMUM WATTAGE OF REMOTE DRIVER IS NOT BEING EXCEEDED.



MAGNETIC STANDARD TRACK LIGHTING SYSTEM

SURFACE TRACK CONNECTION

ACCESSORIES REQUIRED:

65MM POWER PLATE

WHICH INCLUDES: 1 × POWER PLATE

2 × PIN3

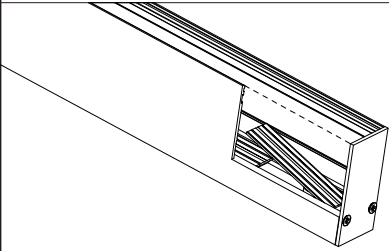


TRACK CONNECTOR-S

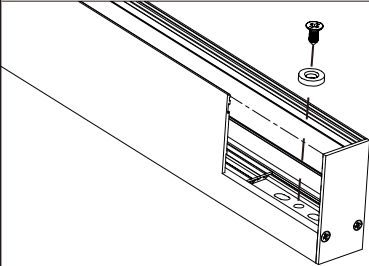
WHICH INCLUDES: 1 × TRACK CONNECTOR



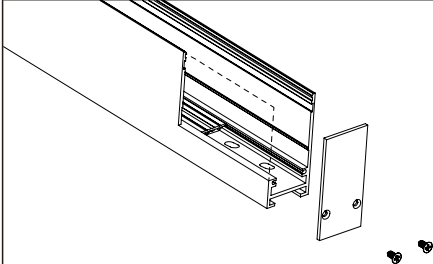
STEP 1 REMOVE DECORATIVE PLATE



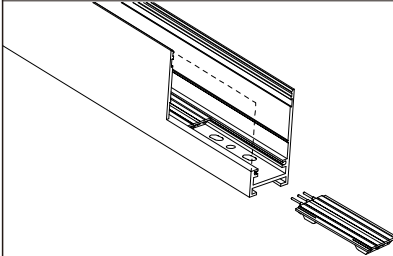
STEP 2 REMOVE MAGNET



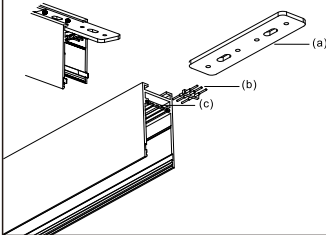
STEP 3 REMOVE END CAPS FROM TRACK



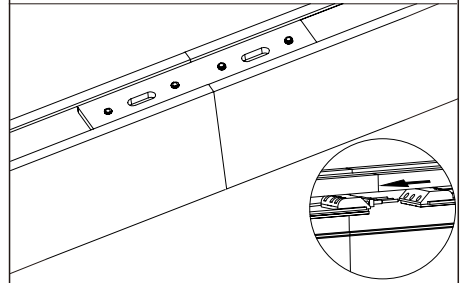
STEP 4 INSERT THE 65MM POWER PLATE



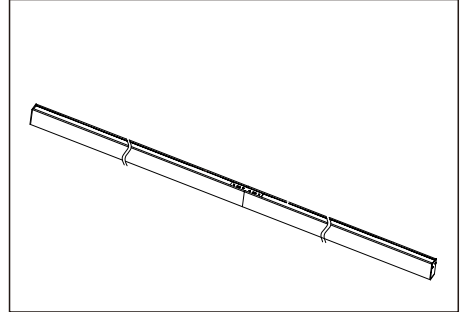
STEP 5 INSTALL THE PIN SET(b) INTO THE PIN CONNECTOR HOLES (c) ON THE TRACK. SLIDE THE TRACK CONNECTOR-S(a) INTO THE SLOT ON THE BACK OF THE TRACK APPROXIMATELY HALFWAY AND SECURE TO TRACK WITH TWO SET SCREWS.



STEP 6 SLIDE SECOND TRACK ONTO THE TRACK CONNECTOR-S WHILE CAREFULLY LINING UP THE PIN SET ON THE FIRST TRACK WITH THE PIN SET HOLES ON THE SECOND TRACK.



STEP 7 COMPLETED TRACK CONNECTION



MAGNETIC STANDARD TRACK LIGHTING SYSTEM

TRIMLESS RECESSED TRACK INSTALLATION INSTRUCTIONS

CAUTION:

- BEFORE INSTALLING THE LIGHT FIXTURES, PLEASE READ THE INSTALLATION INSTRUCTION CAREFULLY.
- DISCONNECT POWER AT CIRCUIT BREAKER BEFORE INSTALLATION OR SERVICING.
- DO NOT INSTALL THE TRACK IN DAMP OR WET LOCATIONS.
- THIS TRACK IS IP20, INDOOR USE ONLY.
- ALL ELECTRICAL CONNECTIONS SHOULD BE DONE BY A QUALIFIED ELECTRICIAN.

NOTE:

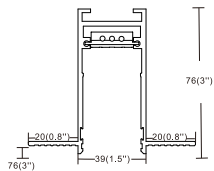
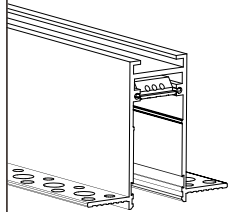
- TRACK SECTIONS SHOULD BE JOINED TOGETHER ON THE FLOOR BEFORE INSTALLING INTO THE CEILING.
- WHEN INSTALLING LONGER TRACK RUNS UTILIZING MULTIPLE 200 WATT SECTIONS, YOU MUST ENSURE THE ELECTRICAL CONNECTION BETWEEN EACH SECTION IS TERMINATED. A NEW CONNECTION FROM THE DRIVER SHOULD BE MADE AT THE START OF EACH ADDITIONAL 200 WATT SECTION WITHOUT THE USE OF 4-PIN CONNECTORS OR RECESSED CABLE CONNECTORS.

TRACK PROFILE

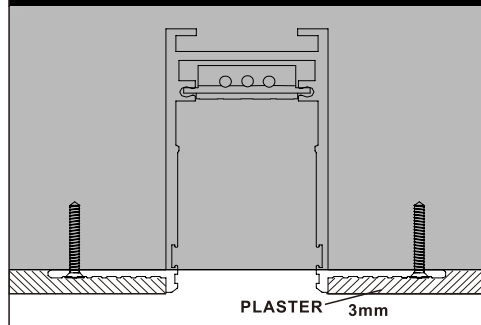
1M PROFILE-R-S 997mm (39.3")

2M PROFILE-R-S 1992mm (78.43")

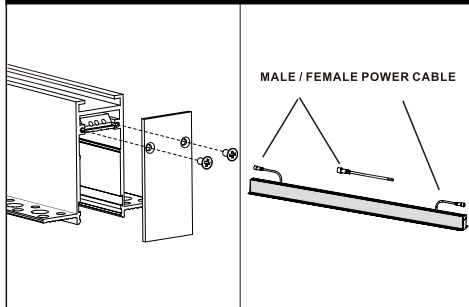
3M PROFILE-R-S 2997mm (118")



INSTALLATION



END CAPS



INCLUDED HARDWARE

1 METER TRACK INCLUDES:

- 4 × SCREWS
- 4 × WALL PLUGS
- 1 × ALLEN WRENCH
- 1 × MALE POWER CABLE

2 METER TRACK INCLUDES:

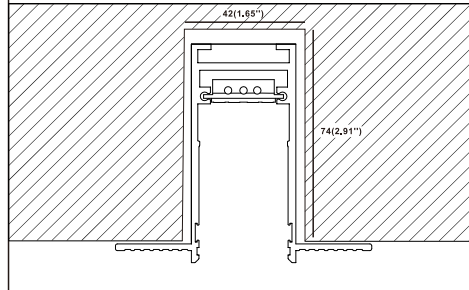
- 6 × SCREWS
- 6 × WALL PLUGS
- 1 × ALLEN WRENCH
- 1 × MALE POWER CABLE

3 METER TRACK) INCLUDES:

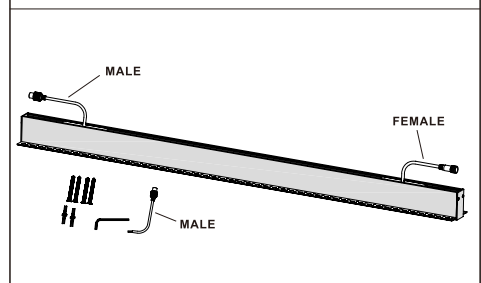
- 8 × SCREWS
- 8 × WALL PLUGS
- 1 × ALLEN WRENCH
- 1 × MALE POWER CABLE

INSTALLATION

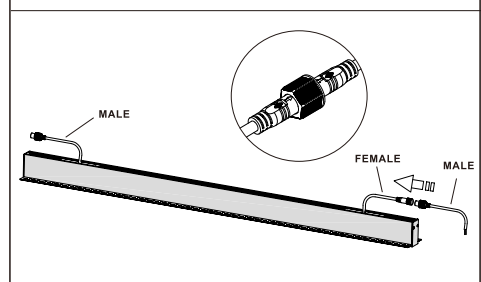
POSITION



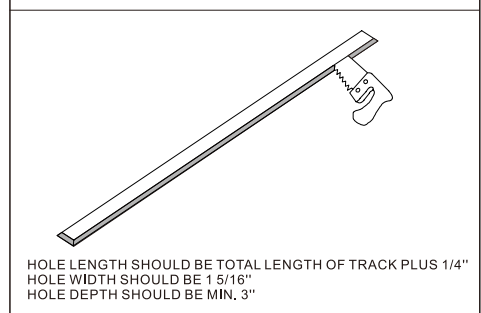
STEP 1 REMOVE TRACK AND ACCESSORIES FROM BOX



STEP 2 CONNECT THE PROVIDED MALE POWER CABLE TO THE FEMALE TRACK CABLE BY LINING UP THE ARROWS ON THE CABLE CONNECTORS AND PUSH TOGETHER. SECURE WITH THE CABLE NUT.

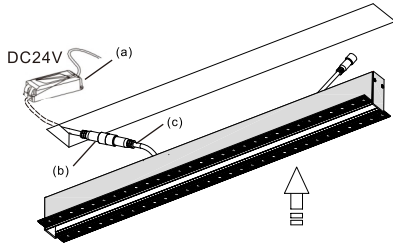


STEP 3 CUT HOLE FOR RECESSED TRACK

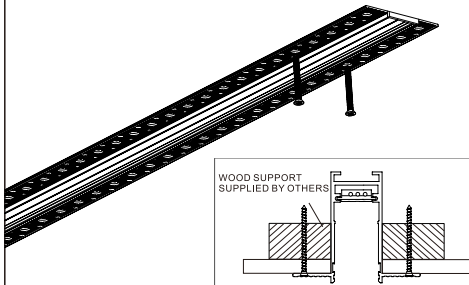


MAGNETIC STANDARD TRACK LIGHTING SYSTEM

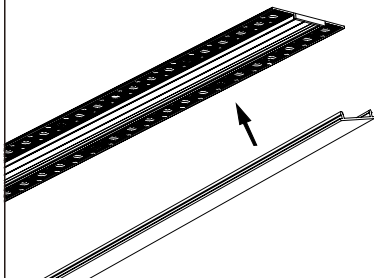
STEP 4 CONNECT POWER FROM REMOTE DRIVER (a) TO PROVIDED POWER CABLE (b), CONNECT MALE POWER CABLE (b) TO TRACK POWER CABLE (c), INSTALL TRACK



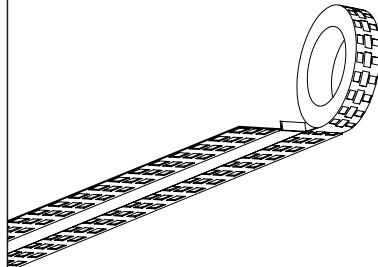
STEP 5 ATTACH TRACK WITH SCREWS



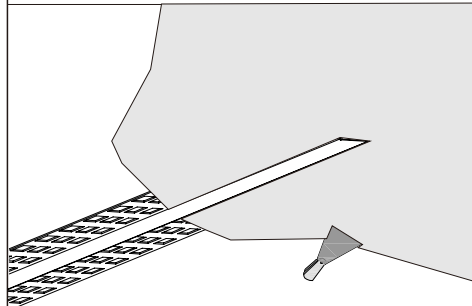
Optional: INSTALL THE RECESSED TRACK COVER ONTO THE TRACK



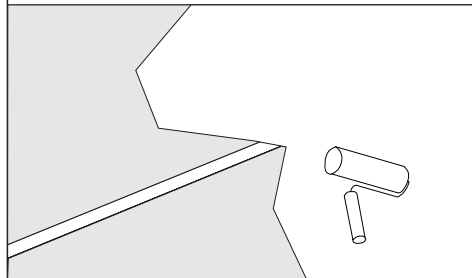
STEP 6 TAPING WITH FIBERGLASS TAPE



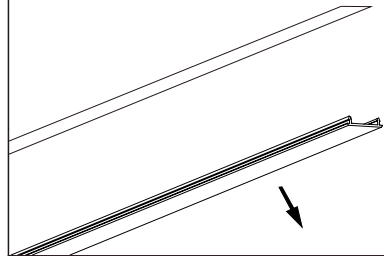
STEP 7 PLASTERING



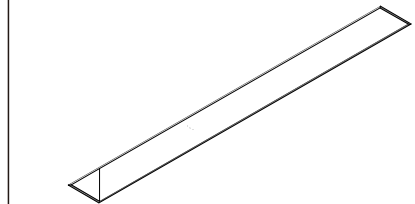
STEP 8 PAINTING



Optional: REMOVE THE MSAR11 RECESSED TRACK COVER FROM TRACK

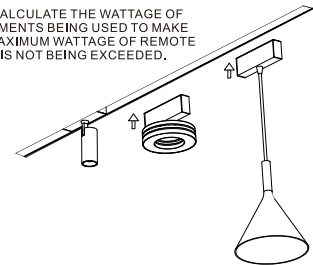


STEP 9 FINISHED INSTALLATION OF THE TRACK



STEP 10 INSTALL ELEMENTS

NOTE: CALCULATE THE WATTAGE OF ALL ELEMENTS BEING USED TO MAKE SURE MAXIMUM WATTAGE OF REMOTE DRIVER IS NOT BEING EXCEEDED.



MAGNETIC STANDARD TRACK LIGHTING SYSTEM

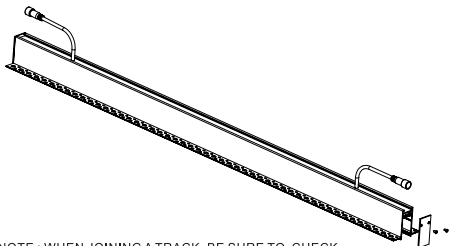
TRIMLESS RECESSED TRACK TRACK CONNECTION INSTRUCTIONS FOR MORE THAN ONE TRACK

ACCESSORIES REQUIRED:

TRACK CONNECTOR-S



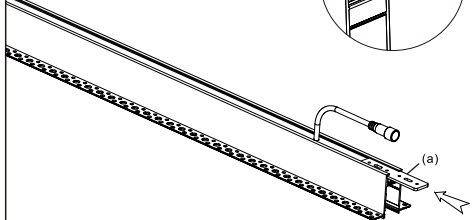
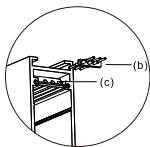
STEP 1 REMOVE END CAPS FROM TRACK WHERE TRACK WILL BE JOINED



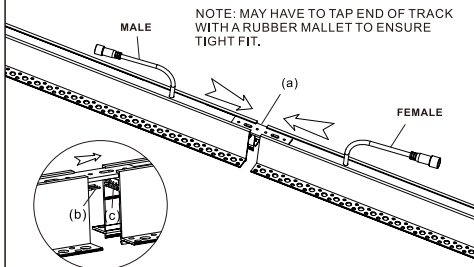
NOTE: WHEN JOINING A TRACK, BE SURE TO CHECK THAT YOU ARE JOINING THE CORRECT END OF THE ADDED TRACK IN ORDER TO MATCH THE MALE/FEMALE POWER CABLES.

STEP 2 SLIDE TRACK CONNECTOR (a) HALFWAY INTO THE SLOT ON THE BACK OF THE TRACK AND SECURE WITH PROVIDED SET SCREWS.

(OPTIONAL - INSERT PIN CONNECTORS (b) INTO THE PIN CONNECTOR HOLES (c). THIS STEP IS NECESSARY IF YOU ARE UNABLE TO USE THE CABLE CONNECTORS, OTHERWISE SKIP THE PIN CONNECTION STEP.)



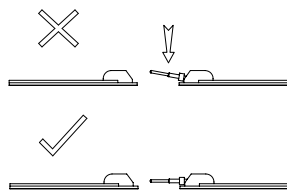
STEP 3 SLIDE THE NEXT TRACK ONTO THE TRACK CONNECTOR (a). SECURE REMAINING SET SCREWS ON TRACK CONNECTOR.



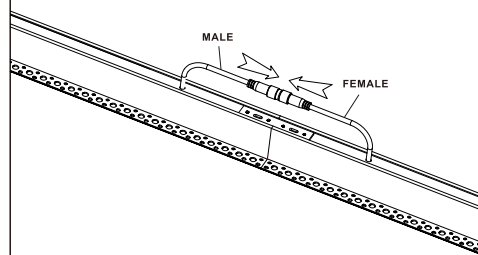
(IF USING PIN CONNECTION INSTEAD OF CABLE CONNECTION, CAREFULLY LINE UP THE PINS (b) WITH THE PIN CONNECTOR HOLES (c) ON THE NEXT TRACK.)

ATTENTION:

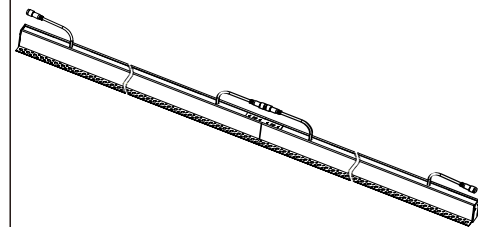
WHEN JOINING TRACKS OR ACCESSORIES UTILIZING PIN CONNECTORS, MAKE SURE PINS ARE HORIZONTAL AND LINE UP WITH PIN CONNECTOR HOLES. YOU MAY NEED TO GENTLY PUSH UP OR DOWN ON THE PINS SO THEY LINE UP CORRECTLY. FAILING TO DO THIS MAY RESULT IN PINS MISSING THE PIN CONNECTOR HOLES AND LOSS OF THE 24 VOLT CONNECTION.



STEP 4 CONNECT MALE / FEMALE CABLE CONNECTORS



STEP 5 COMPLETED TRACK CONNECTION



NOTE:

COMPLETE THESE STEPS FOR EACH ADDITIONAL TRACK. AFTER EACH TRACK CONNECTION A CONTINUITY TEST SHOULD BE DONE TO ENSURE PROPER ELECTRICAL CONNECTIONS WERE MADE.

linear style
intelligent control
magnetic fixing

less is more

full spectrum

extremely functional

ARCHITECTURAL LIGHTING

human centric lighting
natural CCT alternative

more than linear

visual comfort

invisible lamp

variety of mounting