

N75-R07QT

0.35" Pinhole

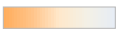
Recessed pinhole downlight · Trimless Drywall · Round

- 10 W
- 45° BEAM
- UP TO 97 CRI
- ETL LISTED
- DRY LOCATION

HOW TO ORDER

Ordering example: N75-R07QT-W-B-B-97-35-45

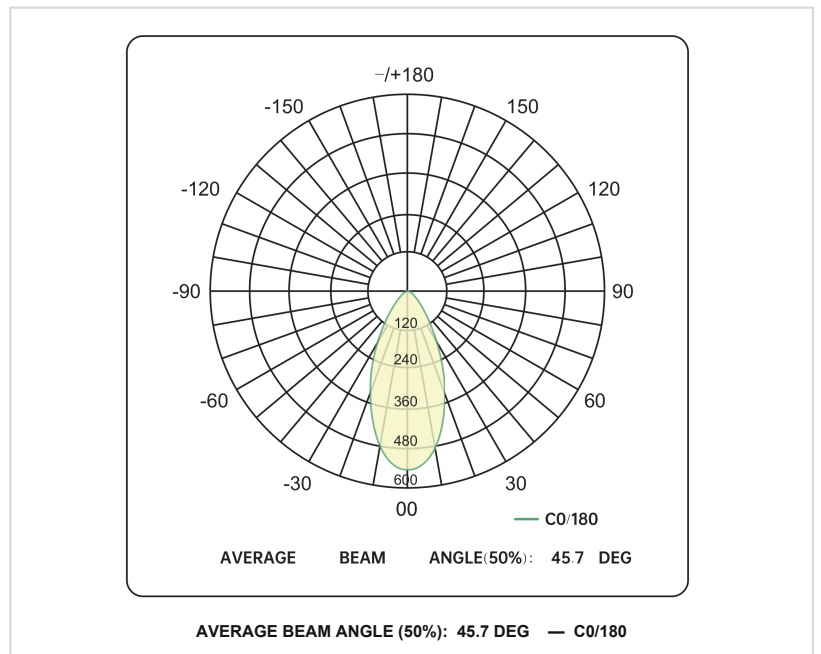
N75	R	07	QT	W	B	B	97	35	45
MODEL	SHAPE	VERSION	TRIM	FRAME	REFLECTOR	LED CHIP	CRI	CCT	BEAM

MODEL	SHAPE	VER.	TRIM	FRAME FINISH	REFL. FINISH	LED CHIP	CRI / LUMENS	CCT	BEAM	DIMMING	ACCESSORIES
N75	R Round	07	QT Trimless Drywall	W White	B Black	B Bridgelux	97 97+ CRI · 10 W 285 lm delivered	27 2700K 30 3000K 35 3500K 40 4000K	45 45°	CMEM55 On/Off; Triac Phase Dim; 120 VAC KIG On/Off; Triac Phase Dim; 120/277 VAC <i>*Remote placed</i> <i>*DALI 2ch driver, remote placed (tunable white)</i>	NCP-R55 Non-IC bracket NCBX-R55 IC box BRKT-2R55 Non-IC bracket for dual lights <i>*For details, see page 3</i>
							90 90+ CRI · 10 W 300 lm delivered <i>*External 5CCT selector</i>	2765A 2700K 3000K 4000K 5000K 6500K			
							TUNABLE WHITE 90+ CRI · 10 W 300 lm delivered <i>*DALI 2ch driver, remote placed</i>	2765  2700K – 6500K Tunable white			

ORDERING EXAMPLE **N75-R07QT-W-B-B-97-35-45**

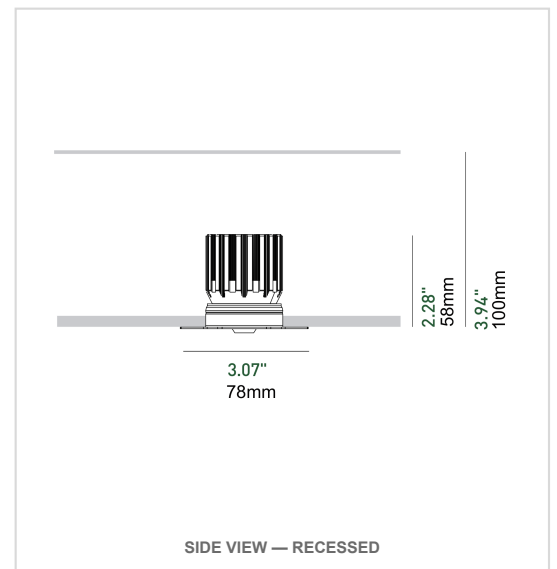
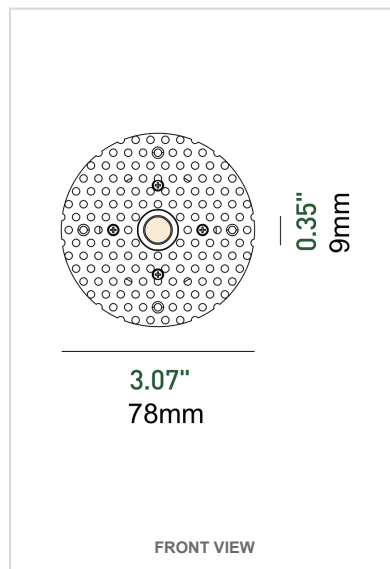
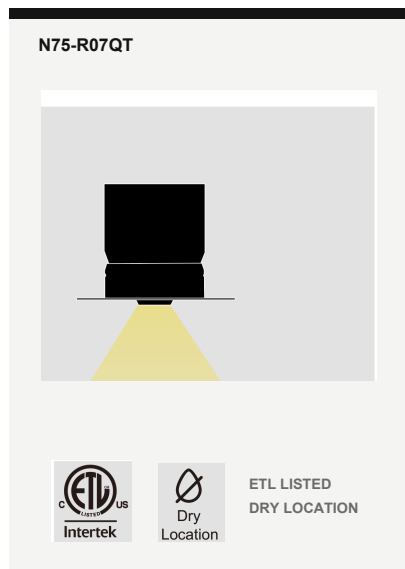
Photometry

BEAM ANGLE	45°
DELIVERED LUMENS	285 lm
CCT	3000 K
CRI	97
POWER	10 W
EFFICACY	24 lm/W



Test data based on 3000K · 97 CRI configuration.

Dimensions



APERTURE
0.35" / 9 mm

DIAMETER
3.07" / 78 mm

HEIGHT
2.28" / 58 mm

RECESS DEPTH
3.94" / 100 mm

Accessories

BRACKET FOR NEW-CONSTRUCTION (4-LEGS)

NCP-R55
Non-IC bracket

CUT OUT
Round: Ø 2.17" (Ø 55 mm)

IC-BOX FOR NEW-CONSTRUCTION (4-LEGS)

NCBX-R55
IC box

CUT OUT
Round: Ø 2.17" (Ø 55 mm)

Cut out

Ceiling opening for single-light brackets:
Round: Ø 2.17" (Ø 55 mm)

ROUGH-IN PLATE FOR NEW-CONSTRUCTION

BRKT-2R55
Non-IC bracket for dual lights

CUT OUT
Round: Ø 2.17" x 2 (Ø 55 mm x 2)

Remark — tailored brackets available with a reasonable surcharge

- Customized bracket dimensions remain the same as existing ones: 600 × 200 mm
- Hole sizes can be customized within the range of 25–100 mm
- Hole quantity can be indicated: 1–7 pcs
- Hole positions on the bracket can be arranged on request

In Application



A nearly invisible 0.35" aperture delivering a focused 45° beam — light without the fixture.

