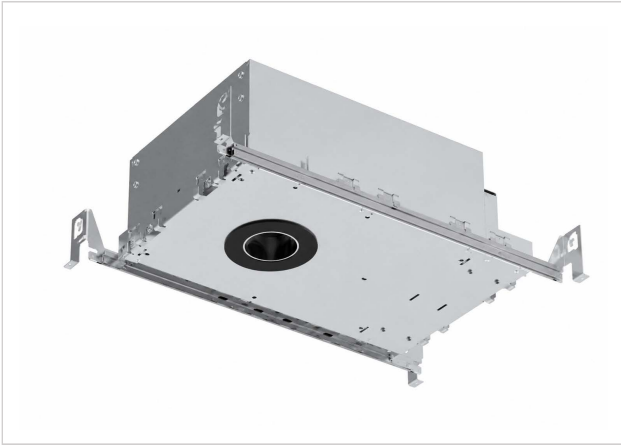


AIRTIGHT IC HOUSING



New Construction AT-NCBX-SR3-R21

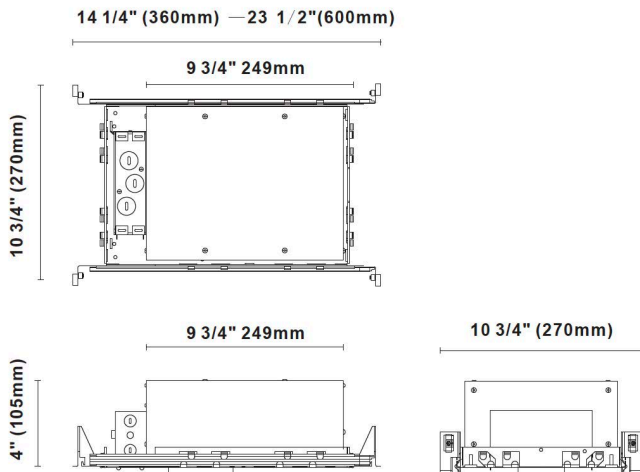
SUMMARY

The AT-NCBX-SR3-R21 is an airtight new-construction recessed rough-in housing designed for insulation-contact ceiling installations. Developed for projects where energy performance, air control, and clean ceiling integration matter, this housing combines IC-rated construction with an integrated gasketed sealing system.

Built to support both trim and trimless architectural downlight systems, the AT-NCBX-SR3-R21 provides a secure and flexible mounting solution for modern residential, multifamily, hospitality, and light commercial projects. The airtight construction helps reduce unwanted air movement through the ceiling plane, supporting a tighter building envelope and improved thermal performance.

Engineered for small-aperture recessed fixtures, the box accommodates multiple cutout formats, allowing designers and contractors to standardize rough-in planning while maintaining flexibility across fixture styles, beam configurations, and ceiling details.

- Airtight IC-rated enclosure suitable for direct contact with insulation
- Integrated gasketed sealing system to help reduce air leakage through the ceiling
- Gasketed light aperture for a tighter seal around the downlight opening
- Designed specifically for new construction framing applications
- Compatible with both trim and trimless recessed downlight finishes
- Multi-format aperture support for round and square cutouts
- 4-leg adjustable mounting system for stable positioning and alignment
- Durable metal construction for long-term reliability in ceiling assemblies
- Compact housing depth for integration into tight plenum spaces
- Supports energy-conscious residential and commercial ceiling assemblies



Cutout Options

Round Apertures

- Ø1" (Ø50 mm)
- Ø2" (Ø62 mm)
- Ø3" (Ø77 mm)

Square Aperture

- 3" Square (77 mm)

Installation

The N-NCBX-SR3-R21 is designed for installation during framing in new construction ceilings. The adjustable mounting legs allow the housing to be securely fixed between joists, ensuring proper placement and consistent fixture alignment prior to drywall installation.

